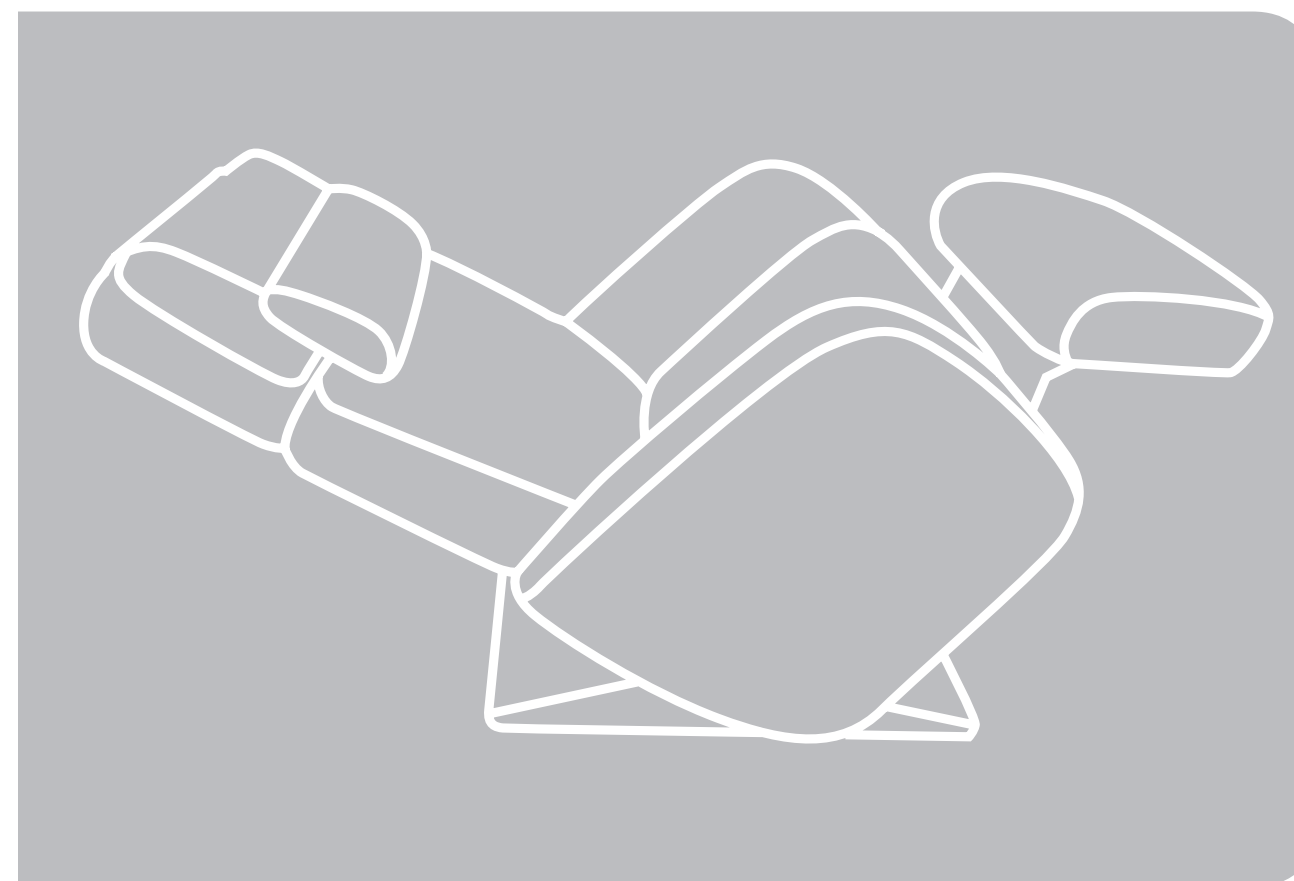




humantouch.com
800.355.2762

©2014 Human Touch®, LLC. Patents pending and intellectual property rights enforced.
No medical claims are warranted or implied by the use of this product.
Human Touch is a trademark of Human Touch®, LLC.
PC-8500-NA-A0

PC8500
PROZero



use & care manual

ENG

use & care manual

FRC

mode d'emploi et d'entretien

ESN

manual de uso y cuidado

Register your product **ONLINE** today

www.humantouch.com/register

Register your product **ONLINE** today

www.humantouch.com/register

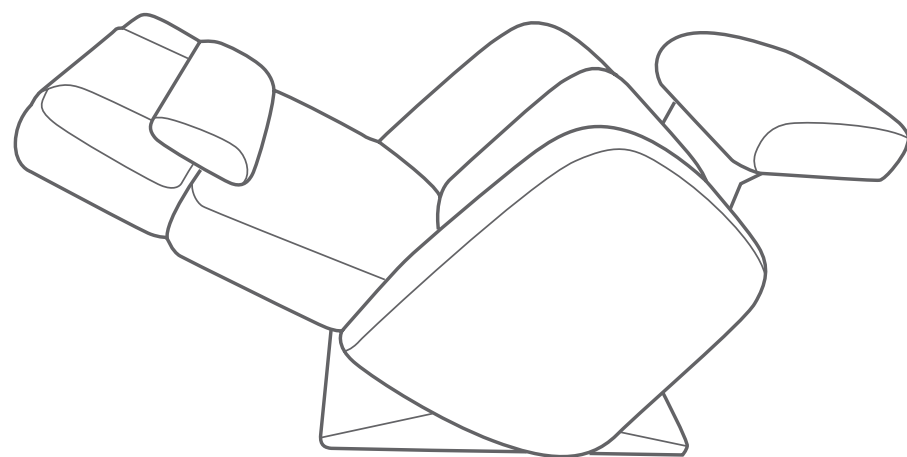
PC8500
PROZero

welcome to **human touch**[®]

By definition, a Human Touch[®] Perfect Chair[®] is a seating experience that transcends the highest standards of comfort to provide a flawless blend of aesthetics, technology and incomparable ergonomics.

Just like the Perfect Chairs that have come before it, the Perfect Chair PC-8500 is a masterful collaboration of some of the most well-renowned experts in the fields of ergonomics, chiropractic and engineering. The silky smooth electric recline eases you into virtual weightlessness and cradles the body in unparalleled comfort. From there, the PC-8500 defies convention by going beyond zero-gravity with the PC PRO mode. This extended range of recline and leg elevations is the same as those used by Chiropractors to deliver freedom from soreness, tension and fatigue.

From clever memory functions to an intuitive control panel, the PC-8500 has been painstakingly designed to bring you to ultimate relaxation and beyond, with just the push of a button.



humantouch.com

keep it safe

IMPORTANT SAFETY INSTRUCTIONS

When using an electrical appliance, basic precautions should always be followed, including the following:

Read all instructions before using this appliance.

DANGER: To reduce the risk of electrical shock

Always unplug this product from the electrical outlet immediately after using and before cleaning.

WARNING: To reduce the risk of burns, fire, electric shock or injury to persons:

- If the supply cord is damaged, it must be replaced by the manufacturer or its service agent or a similarly qualified person in order to avoid a hazard.
- An appliance should never be left unattended when plugged in. Unplug from outlet when not in use, and before putting on or taking off parts.
- Do not operate under blanket or pillow. Excessive heating can occur and cause fire, electric shock, or injury to persons.
- Close supervision is necessary when this product is used by, on, or near children, invalids, or disabled persons. Keep children away from extended foot support (or other similar parts).
- Use this product only for its intended use as described in this manual. Do not use attachments not recommended by the manufacturer.
- Never operate this product if it has a damaged cord or plug, if it is not working properly, if it has been dropped or damaged, or dropped into water. Return this product to a service center for examination and repair.
- Do not carry this appliance by supply cord or use cord as a handle.
- Always keep the power cord away from heated surfaces.
- Never operate this product with the air openings blocked. Keep the air openings free of lint, hair, and the like.
- Never drop or insert any object into any opening.
- Do not use outdoors.
- Do not operate where aerosol (spray) products are being used or where oxygen is being administered.
- To disconnect, turn all controls to the OFF position, then remove plug from outlet.
- Do not use on unexplained calf pain.
- Do not use this product when standing on a damp floor, or when any part of the body is in contact with plumbing or any similar ground.
- Do not use this product if noise above normal sound is heard.
- Do not stand on or in appliance. Use only while seated.
- This appliance is not intended for use by persons (including children) with reduced physical, sensory or mental capabilities, or lack of experience and knowledge, unless they have been given supervision or instruction concerning use of the appliance by a person responsible for their safety. Children should be supervised to ensure that they do not play with the appliance.
- To reduce the risk of electric shock, this furnishing has a polarized plug (one blade is wider than the other). This plug will fit in a polarized outlet only one way. If the plug does not fit fully in the outlet, reverse the plug. If it still does not fit, contact a qualified electrician to install the proper outlet. Do not change the plug in any way.

Safety Precautions

- Comfortable clothing is recommended while using this product.
- If you feel any abnormal discomfort during the operation of this product, turn off the power immediately and do not use the product. Consult your physician.
- Do not pull on the AC cord.
- When using this product after it has been in storage, check to see that the product is operating properly prior to use.
- Always confirm that there are no obstacles behind the product and that there is sufficient space to recline.

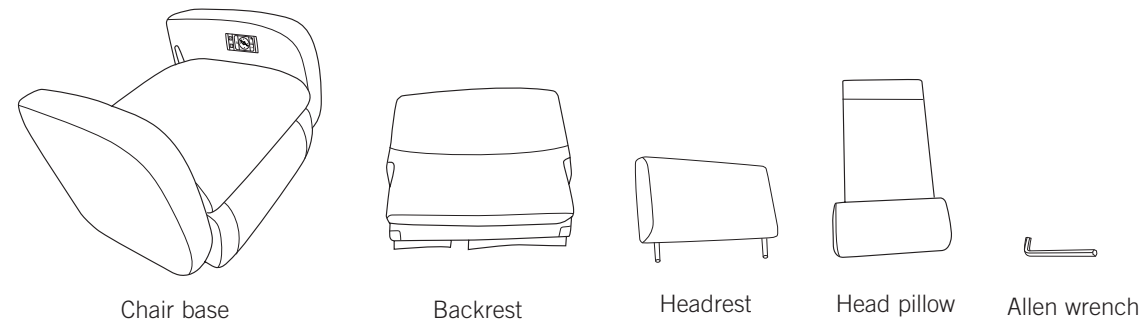
SAVE THESE INSTRUCTIONS

- This product is designed for personal in-home use. Commercial use will void warranty.
- **Do not attempt to repair this product yourself.**

get ready

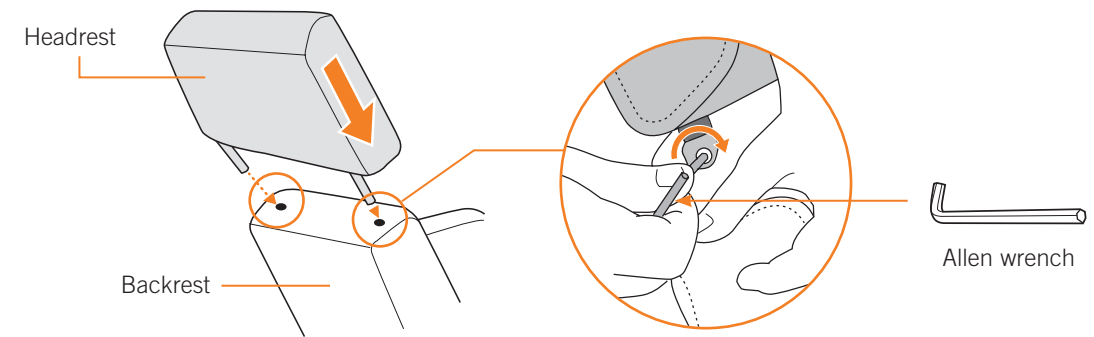
Your Human Touch® Perfect Chair® requires some simple assembly. Simply attach the backrest to the chair base, the headrest to the backrest, place the head pillow, and you're done!

Unpack the box



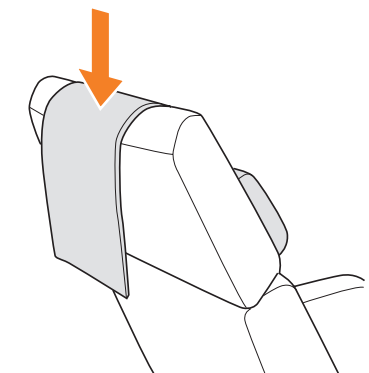
INSTALL THE HEADREST

1. Insert the ends of the headrest frame into the backrest frame.
2. Using the provided Allen wrench, install the two provided screws to secure the headrest frame.



PLACE THE HEAD PILLOW

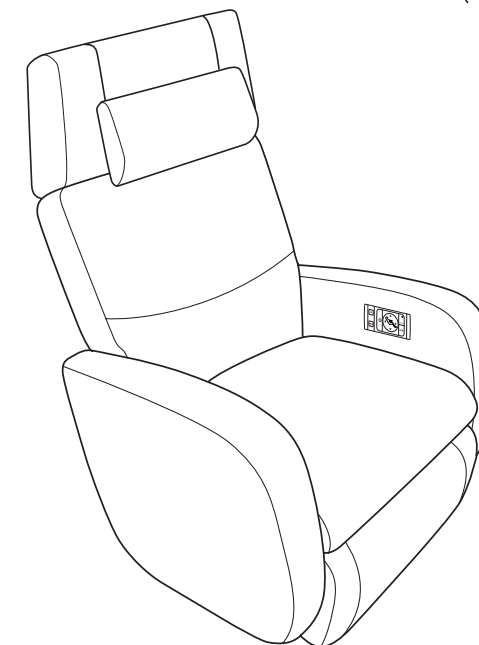
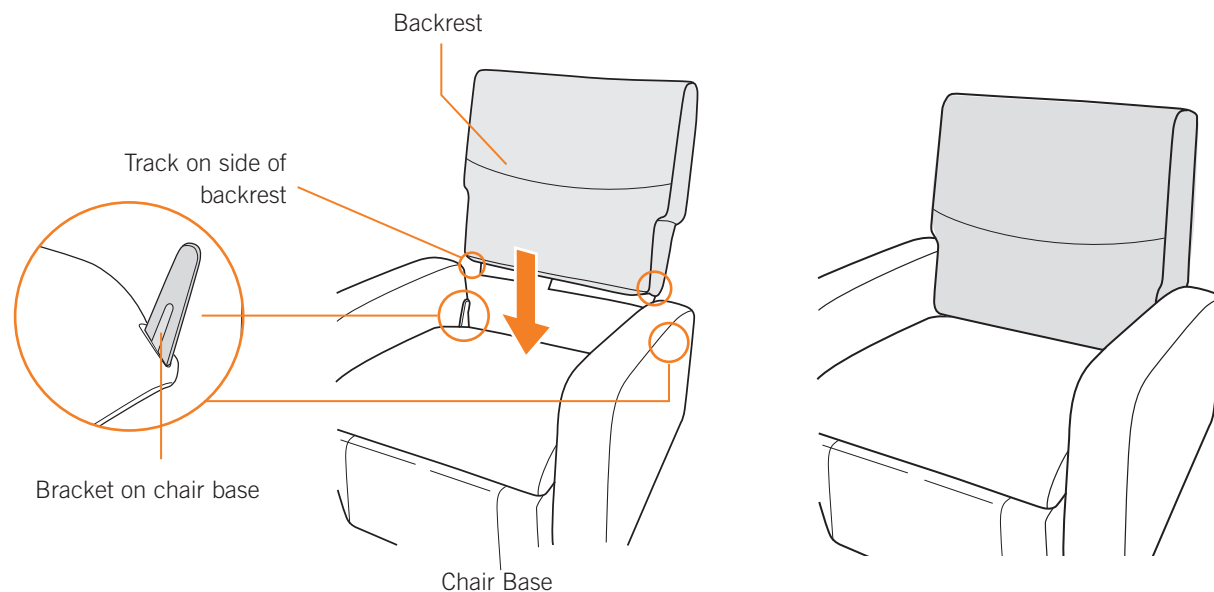
Position the head pillow in the desired location, with the flap resting on top of the headrest. The weighted flap makes it easy to position the head pillow for maximum comfort.



INSTALL THE BACKREST

IMPORTANT: This step requires two people to prevent injury and/or damage to the backrest.

1. Using two people, lift the backrest into position on top of the chair base, aligning the tracks on the sides of the backrest with the brackets on the chair base.
2. Lower the tracks on the sides of the backrest carefully onto both brackets simultaneously, keeping the backrest level, until the backrest clicks into place.



take a seat

Using your Human Touch Perfect Chair is easy. Just take a seat and adjust the chair to the desired position. The Perfect Chair cradles you in zero-gravity comfort, with your feet above your heart—the ultimate neutral-posture position for back and spine relief.

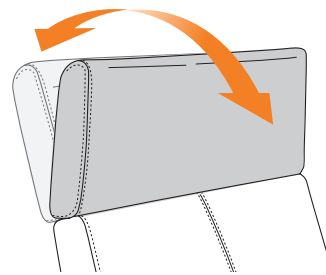
Plug it in

Plug the chair into an appropriate power source.

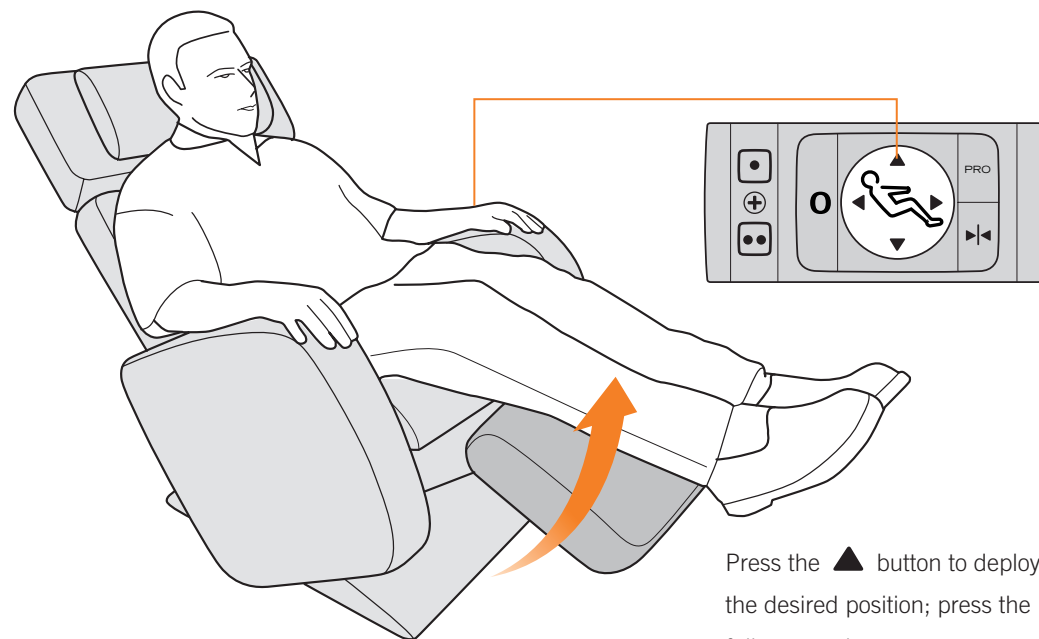


Adjust the headrest

While seated, reach up with both hands and grasp both sides of the headrest, then tilt the headrest forward or backward for maximum comfort. The headrest remains in this position until you adjust it again.



Raise the footrest



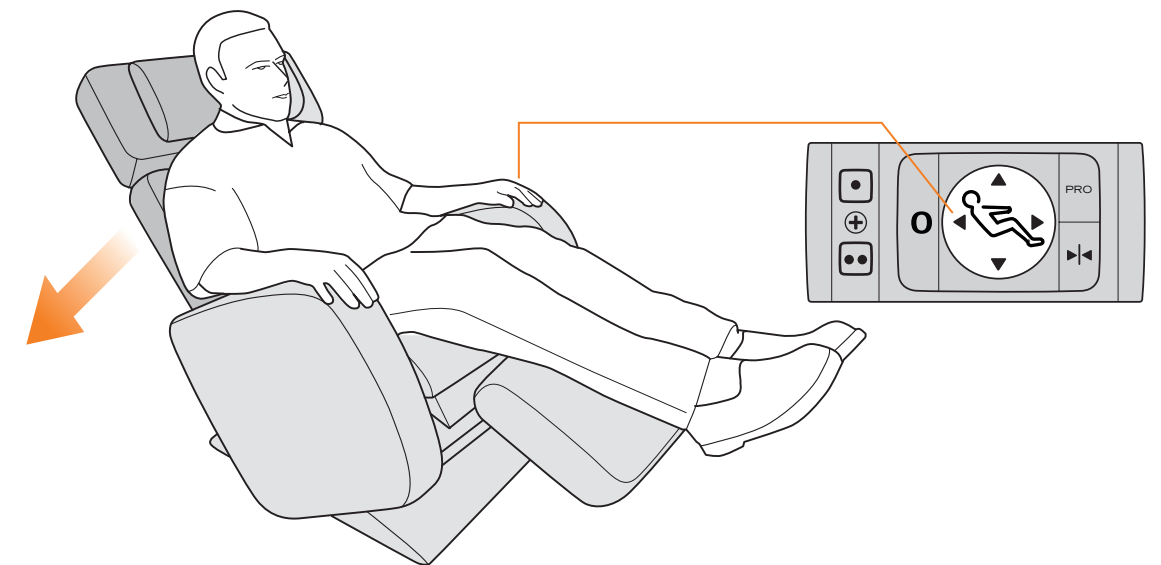
Press the ▲ button to deploy and raise the footrest to the desired position; press the ▼ button to lower or fully retract it.

WARNING: Do not sit or stand on the deployed footrest, as this will permanently damage your chair and void your warranty.

Recline the backrest

Before adjusting the recline angle, be sure there is nothing located directly behind or beneath the chair.

Press ◀ to recline the backrest; press the ▶ to incline.



WARNING: Be sure the area underneath the chair is clear before inclining the chair, to prevent injury to children and pets.

Your PC-8500 features advanced programming, making it easy to recline to a zero-gravity or inversion position with the touch of a button. You can also use memory buttons to store two of your favorite positions.

take control

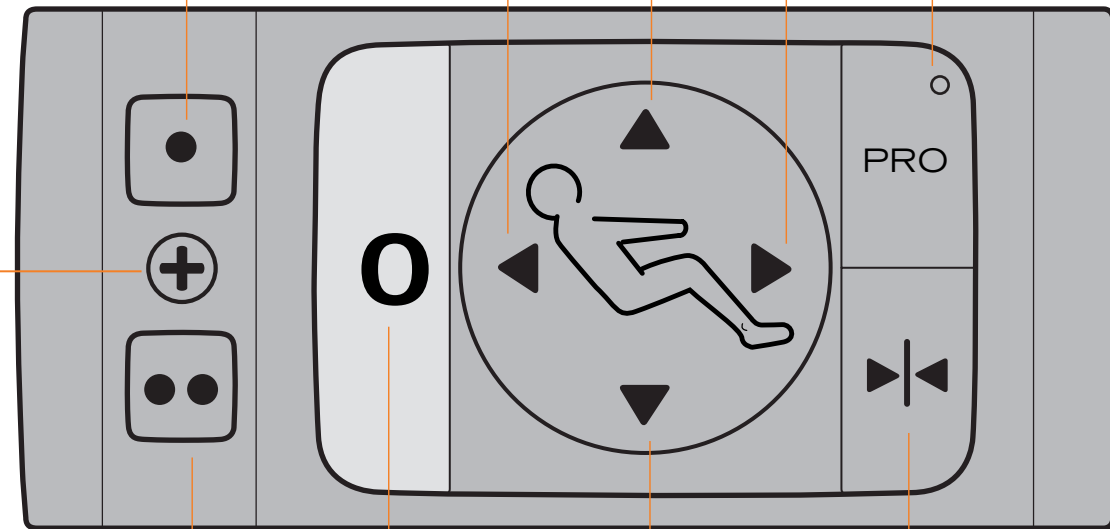
Memory 1
Press & hold until you reach the custom memorized position.

Legs Up
Press & hold until you reach the desired position.

PRO Extend
Press on / Press off. Blue LED lights when PRO mode is on. LED also flashes to confirm that a new memory position has been set.

Recline
Press & hold until you reach the desired position.

Incline
Press & hold until you reach the desired position.



Memory
While pressing the + button, press and hold the Memory 1 or Memory 2 button until the blue LED stops blinking to memorize your favorite position.

Go to Zero*
Press & release to recline to the zero-gravity position.

Memory 2
Press & hold until you reach the custom memorized position.

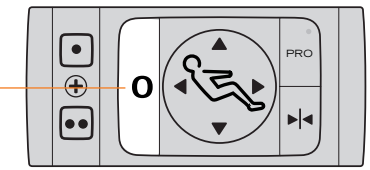
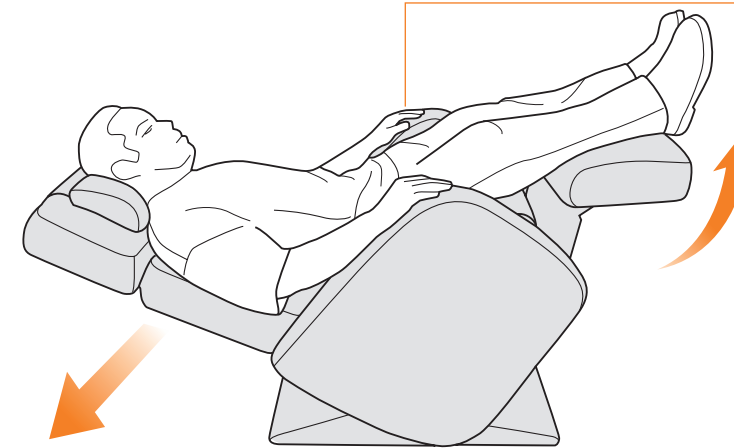
Legs Down
Press & hold until you reach the desired position.

Restore
Press & hold to simultaneously return the chair to the full upright position with the leg rest fully retracted.







Go to Zero button activates an automated chair motion. Prior to activation, confirm that all areas behind and beneath the chair are clear. **TO IMMEDIATELY STOP THE CHAIR DURING ANY AUTOMATED MOVEMENT, PRESS ANY BUTTON ON THE CONTROL PANEL EXCEPT THE PRO BUTTON.**

Go to ZeroG




Press and release the **O** button to automatically deploy the footrest and recline the chair to the Human Touch Real Zero-Gravity position, relieving pressure from your spine for ultimate comfort.

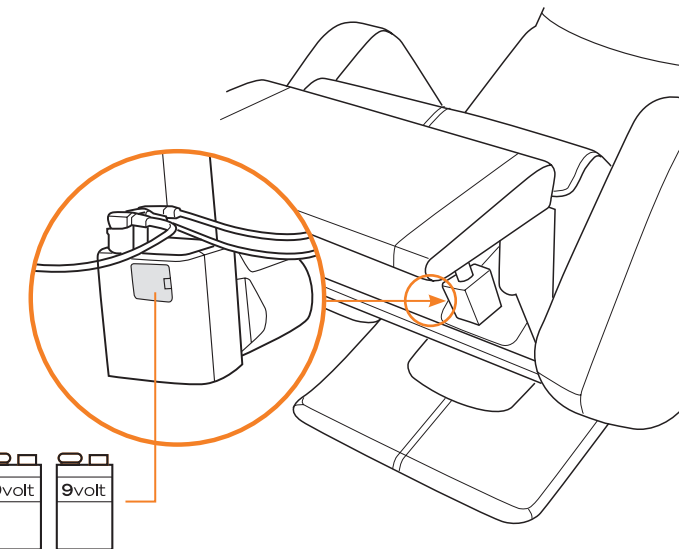
Custom Position Memory

Have favorite positions other than the pre programmed ZeroG position? Use the two memory buttons to store up to two custom positions. While pressing the + button, hold  or  to store your current position in memory. Next time you sit down in the chair, simply press and hold the  or  button to return to your favorite position.

Human Touch Safety Feature: Battery Backup

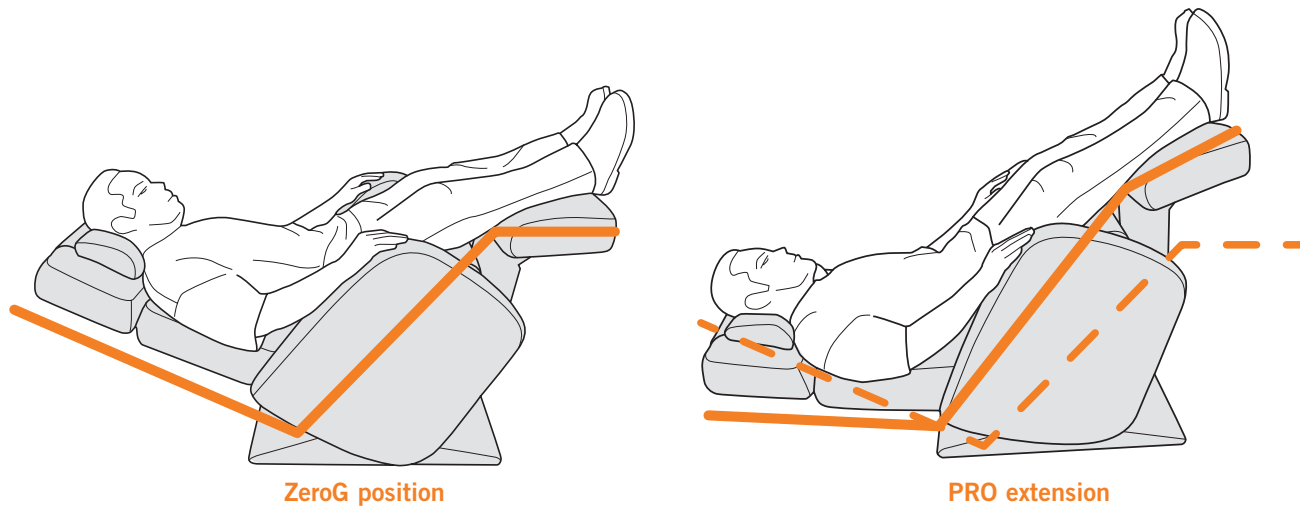
Your PC-8500 has a built-in battery backup system, to ensure that you can incline and exit the chair if a power failure occurs. The battery backup system uses two common 9V batteries (not included). Be sure to note the date you installed the batteries and replace them on a regular basis, to ensure that the battery backup system is functional.

IMPORTANT: To use the built-in battery backup system to incline and exit the chair during a power failure, press and hold the restore button  to automatically restore the chair to the upright position.



IMPORTANT: The batteries can only be used **ONCE**; after using the battery backup system, replace the batteries immediately.

take control



PRO in ZeroG

You've gone to zero, now go **PRO**. Your PC-8500 chair lets you shift into an extended zero-gravity recline mode called PRO. It's called **PRO** because the extended recline and leg elevation positions are used by chiropractors to enhance back pain relief to their patients*. But you don't need a professional to enjoy the extended range of comfort adjustments and benefits—experiment on your own and experience personalized wellness comfort in **PRO** mode.

* Over 5,000 Human Touch Perfect Chairs are used in professional practice in chiropractic offices across the United States.

Go to PRO

Press the **PRO** button to unlock access to the Human Touch **PRO** position. When the blue LED is illuminated, you can position your back and legs in extended range, beyond PC Zero Gravity.

Customize your Zero Gravity experience to your own unique comfort configuration. You can save your favorite **PRO** mode position using either of the two memory buttons.

When **PRO** mode is off, the manual recline control conveniently stops at the PC Zero Gravity position. You may choose to leave **PRO** mode active at all times if you frequently use extended range positions.



care, maintenance, warranty

To keep your product working and looking its best, please follow these simple care guidelines.

WARNING:

1. Be sure to disconnect the power cord from the electrical outlet before cleaning.
2. When cleaning the controller or power switch, use a dry cloth only. Never use a damp cloth to clean the controller or power switch.
3. Be sure to test any cleaning solution on a small, inconspicuous part of the product to ensure that the color does not fade prior to using the solution on the entire product surface.
4. Do not use benzene, thinner or any other solvents on your product.

Cleaning Code Standard: W

To maintain your Human Touch product in optimum condition, dust it frequently and/or vacuum it with a soft brush vacuum extension. SofSuede® products can also be brushed with a suede brush.

If your product becomes dirty, use a water-based upholstery cleaner only. To treat stains, spot clean with an upholstery shampoo or a mild detergent foam.

Maintenance and Repair:

1. The mechanics of this product are specially designed and constructed to be maintenance free. No periodic lubrication or servicing is required.
2. Your chair should only be serviced by an authorized service center.

Use and Storage Environment:

1. When not in use for a long period of time, we recommend that the chair be covered, the power cord be coiled and that the unit be placed in an environment free of dust and moisture.
2. Remove back up batteries.
3. Do not store near heat or open flame.
4. Do not leave this product exposed to direct sunlight for long periods of time. This may cause fading or damage.
5. Do not use or store in extreme temperatures; product stored in cold temperatures may require 48 hours at room temperature to function properly.
6. Product should be used and stored in an environment with non-condensing humidity ranging from 10 to 80%; excessive humidity will damage the mechanics.

WARRANTY

For specific information related to warranty coverage on your Human Touch product, please visit us at www.humantouch.com/warranty or call our Customer Experience team at (800) 355-2762.

Specifications*

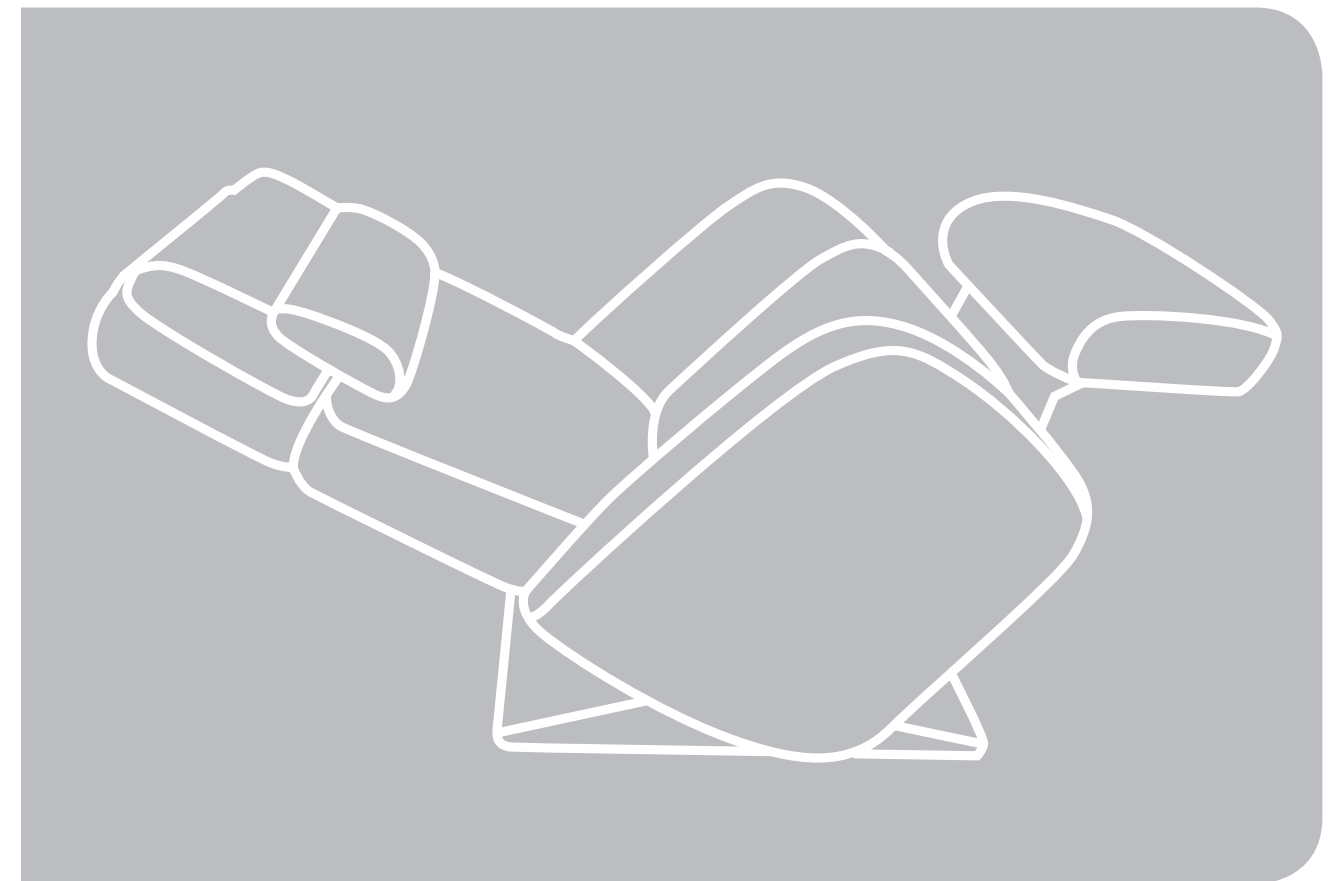
Operating Voltage:	AC110-120V 60 Hz
Power Consumption:	70 Watts
Chair Size (upright):	41.25"L x 34.5"W x 44.75"H
Chair Size (reclined):	61.5"L x 34.5"W x 31.75"H
Product Weight:	113 Lbs.
Required Recline Clearance:	24"
Maximum Deployed Footrest Load Weight:	75 Lbs.
Maximum Load Weight:	285 Lbs.

*Specifications are subject to change without prior notice.

PC8500
PROZero



humantouch.com
800.355.2762



mode d'emploi et d'entretien

FRANÇAIS

Enregistrez votre produit **EN LIGNE** dès maintenant

www.humantouch.com/register

Enregistrez votre produit **EN LIGNE** dès maintenant

www.humantouch.com/register

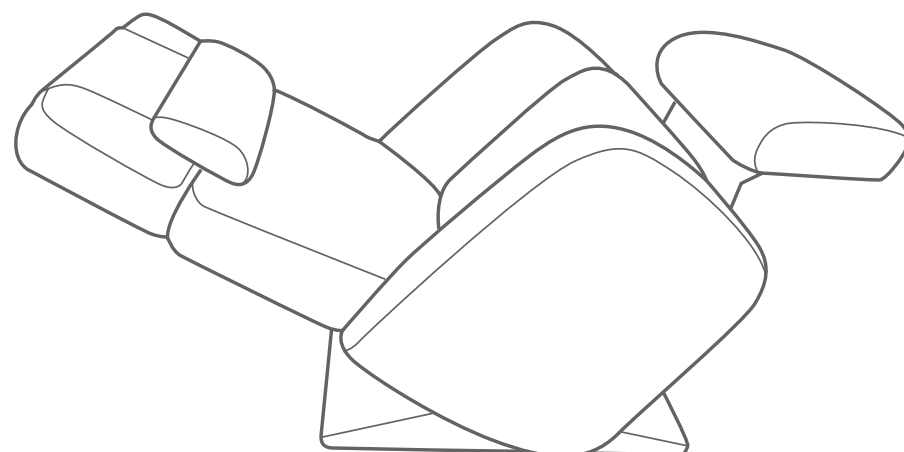
PC8500
PROZero

bienvenue chez **human touch**^{MC}

Par définition, un fauteuil Human Touch^{MD} Perfect Chair^{MD} vous offre une expérience qui transcende les normes les plus exigeantes en matière de confort. Le fauteuil Perfect Chair allie parfaitement l'esthétisme, la technologie et une ergonomie incomparable.

Tout comme les fauteuils Perfect Chair précédents, le fauteuil Perfect Chair PC-8500 est né de la collaboration magistrale entre les experts les plus chevronnés des domaines de l'ergonomie, de la chiropractie et de l'ingénierie. L'inclinaison électrique ultradouce vous emmène dans un état d'apesanteur virtuelle et berce votre corps, pour un confort inégalé. À partir de cet instant, le PC-8500 défie les conventions et va au-delà des attentes grâce au mode PC PRO. Cette gamme étendue d'inclinaisons et d'élévations des jambes reproduit les techniques employées par les chiropraticiens pour soulager la douleur, les tensions et la fatigue.

Tant au niveau de ses fonctions de mémoire intelligentes que de son panneau de commande intuitif, le PC-8500 a été soigneusement conçu pour vous apporter la détente ultime, et encore plus, au simple toucher d'un bouton.



Veillez acheminer toute question ou commentaire concernant ce manuel à : documentation@humantouch.com.

©2014 Human Touch^{MC}, LLC. Brevets en instance. Tous droits réservés.
Aucune garantie quant aux bénéfices médicaux de cet appareil n'est offerte, qu'elle soit expresse ou implicite.
Human Touch est une marque de commerce de Human Touch^{MC}, LLC.

humantouch.com

consignes de sécurité

CONSIGNES DE SÉCURITÉ IMPORTANTES

Lorsque vous utilisez un appareil électrique, vous devez toujours suivre les précautions de base suivantes :

Lisez toutes les instructions avant d'utiliser cet appareil.



DANGER: Afin de réduire les risques d'électrocution :

Débranchez toujours cet appareil de l'alimentation électrique dès que vous avez fini de l'employer et avant de le nettoyer.



MISE EN GARDE : Afin de réduire les risques de brûlure, d'incendie, d'électrocution ou de blessure :

- Si le cordon d'alimentation est endommagé, il doit être remplacé par le fabricant, son représentant de service ou un technicien qualifié afin d'éviter tout danger.
- Un appareil ne devrait jamais être laissé sans surveillance lorsqu'il est branché. Débranchez l'appareil de l'alimentation lorsque vous ne l'employez pas et avant d'y insérer ou d'en retirer des pièces.
- Ne faites pas fonctionner cet appareil une couverture ou sous un oreiller. Une surchauffe pourrait survenir et causer un incendie, une électrocution ou des blessures. Gardez les enfants à l'abri du repose-pied déployé (ou autres pièces semblables).
- Une surveillance étroite est nécessaire lorsque ce fauteuil est employé près ou par des enfants ou des personnes handicapées.
- Employez ce fauteuil à ce pour quoi il a été conçu, tel que décrit dans ce guide. Employez uniquement les accessoires recommandés par le fabricant.
- N'employez jamais ce produit si son cordon ou sa fiche d'alimentation sont endommagés, s'il ne fonctionne pas correctement, s'il a été échappé ou endommagé ou s'il a été immergé. Retournez ce fauteuil à un centre de service pour examen et réparation.
- Ne transportez pas cet appareil en tirant sur son cordon d'alimentation. N'utilisez pas le cordon d'alimentation comme une poignée.
- Éloignez toujours le cordon d'alimentation de toute source de chaleur.
- Ne faites jamais fonctionner ce fauteuil si ses trappes d'aération sont obstruées. Maintenez les trappes d'aération exemptes de peluche, de cheveux et de substances semblables.
- N'échappez ni n'insérez jamais aucun objet dans aucune ouverture.
- N'employez pas ce fauteuil à l'extérieur.
- Ne faites pas fonctionner dans un endroit où on utilise des produits à bombe aérosol (vaporisateur) ou dans un endroit où de l'oxygène est administré.
- Pour débrancher, mettez toutes les commandes à la position O (arrêt) et retirez la fiche de la prise.
- Ne massez aucune partie du corps qui soit enflée, enflammée ou présentant des éruptions.
- Ne massez pas vos jambes si vous souffrez de douleurs idiopathiques.
- N'employez pas cet appareil sur une surface humide ou lorsqu'une partie de votre corps est en contact avec une structure de plomberie ou autre structure similaire.
- N'employez pas ce fauteuil s'il émet un bruit plus élevé que le son normal.
- Ne vous mettez pas debout sur ou dans l'appareil. N'utilisez cet appareil qu'en position assise.
- Utilisez les surfaces chauffantes avec précaution. Risque de brûlures graves. N'utilisez pas cet appareil sur une zone épidermique sensible ou si vous souffrez de mauvaise circulation sanguine. Ce produit peut être dangereux s'il est utilisé par des enfants ou des personnes handicapées sans surveillance.
- Afin de réduire les risques d'électrocution, cet appareil est doté d'un cordon à fiche polarisée (une lame est plus large que l'autre). Cette fiche ne s'insère que dans un seul sens dans une prise polarisée. Si la fiche ne s'insère pas entièrement dans la prise, inversez la fiche. Si elle ne s'insère toujours pas entièrement, contactez un électricien qualifié pour faire installer une prise appropriée. Ne modifiez pas la fiche d'alimentation électrique.

Consignes de sécurité

- Nous recommandons le port de vêtements confortables pour l'emploi de ce produit.
- Si vous éprouvez un inconfort anormal lorsque vous employez ce produit, éteignez-le immédiatement et cessez son emploi. Consultez votre médecin.
- Ne vous assoyez pas sur le système de commande.
- Ne tirez pas sur le cordon d'alimentation.
- Si vous employez ce produit après une période de rangement prolongée, vérifiez son bon fonctionnement au préalable.
- Assurez-vous toujours qu'aucun obstacle ne se trouve derrière le fauteuil. Assurez-vous de disposer d'un espace suffisant pour incliner le fauteuil.

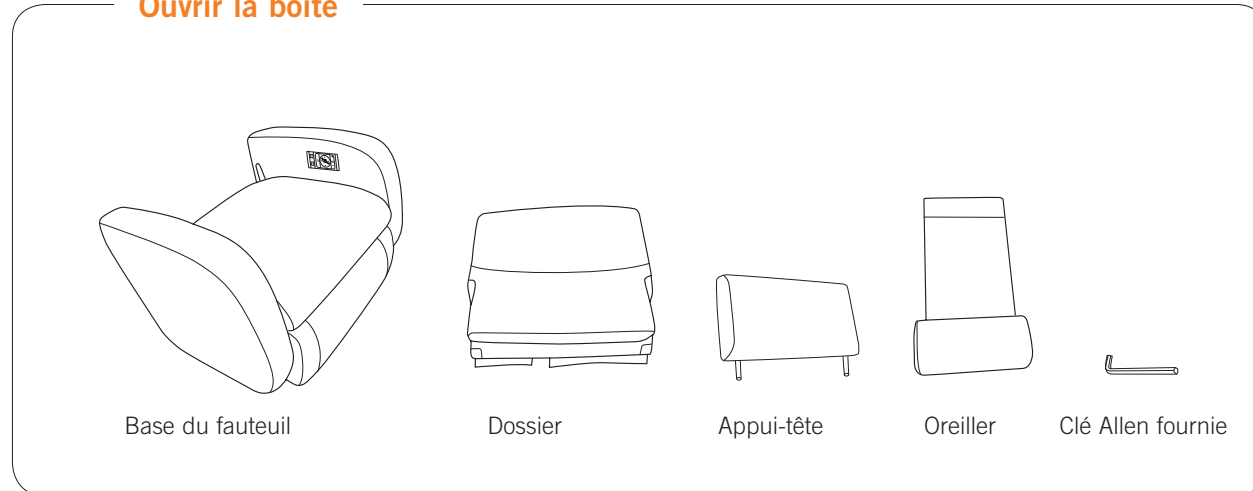
CONSERVEZ CE MODE D'EMPLOI

- Ce fauteuil est conçu pour un usage personnel au foyer. Tout usage à des fins commerciales annulera la garantie.
- **Ne réparez pas ce fauteuil vous-même.**

Se préparer

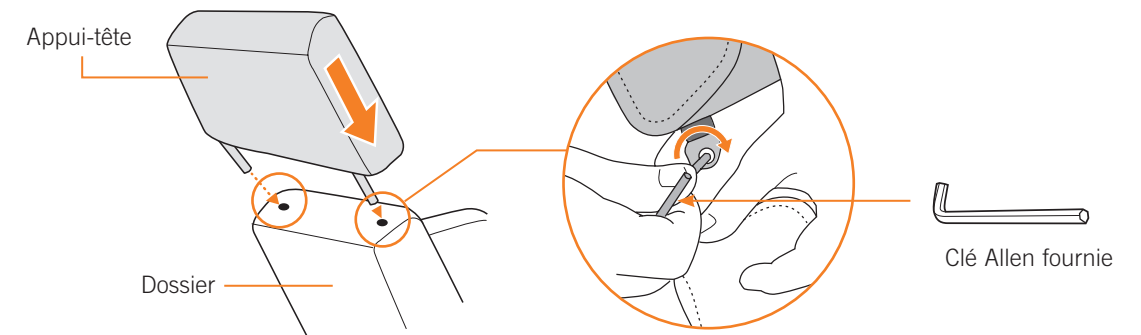
Votre fauteuil de massage Human Touch^{MD} Perfect Chair^{MD} nécessite un assemblage tout simple. Vous n'avez qu'à fixer le dossier à la base du fauteuil et à installer l'oreiller... c'est tout!

Ouvrir la boîte



POSEZ L'APPUI-TÊTE

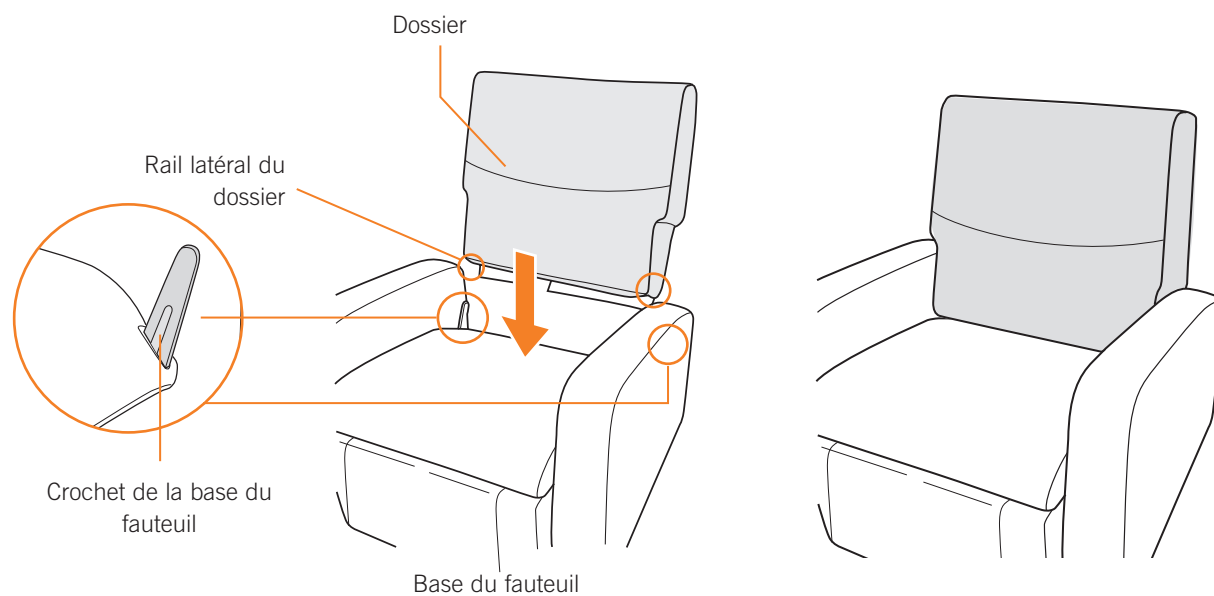
1. Insérez l'extrémité du cadre de l'appui-tête dans le cadre du dossier.
2. À l'aide de la clé Allen fournie, posez les deux vis fournies pour fixer le cadre de l'appui-tête.



INSTALLEZ LE DOSSIER

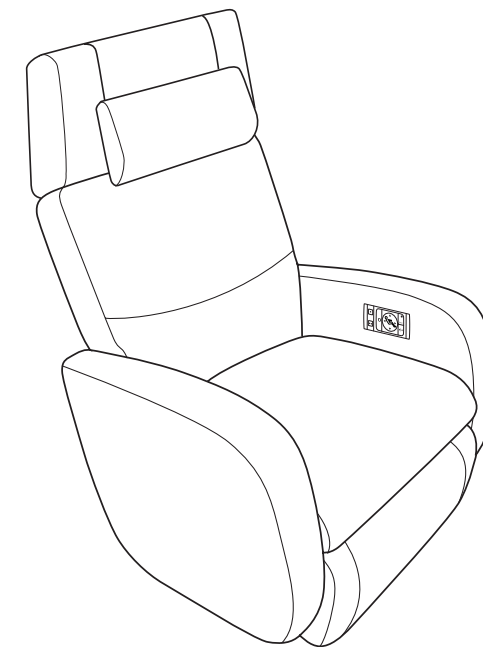
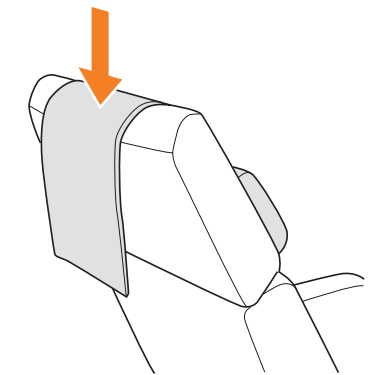
IMPORTANT: Cette étape doit être effectuée par deux personnes afin d'éviter des blessures ou des dommages au dossier.

1. Avec l'aide d'une autre personne, positionnez le dossier au-dessus de la base du fauteuil, en alignant les rails sur les côtés du dossier aux supports situés sur la base du fauteuil.
2. Baissez prudemment les rails latéraux du dossier, simultanément, dans les crochets, en gardant le dossier au niveau, jusqu'à ce qu'il s'immobilise en cliquant.



INSTALLEZ L'OREILLER

Positionnez l'oreiller à l'endroit désiré, le rabat sur le dessus de l'oreiller. Le rabat lesté facilite le positionnement de l'oreiller, pour un confort maximum.



prenez place

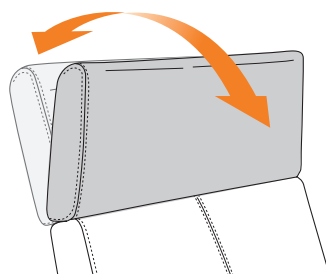
Branchez-le

Branchez la chaise dans la prise.

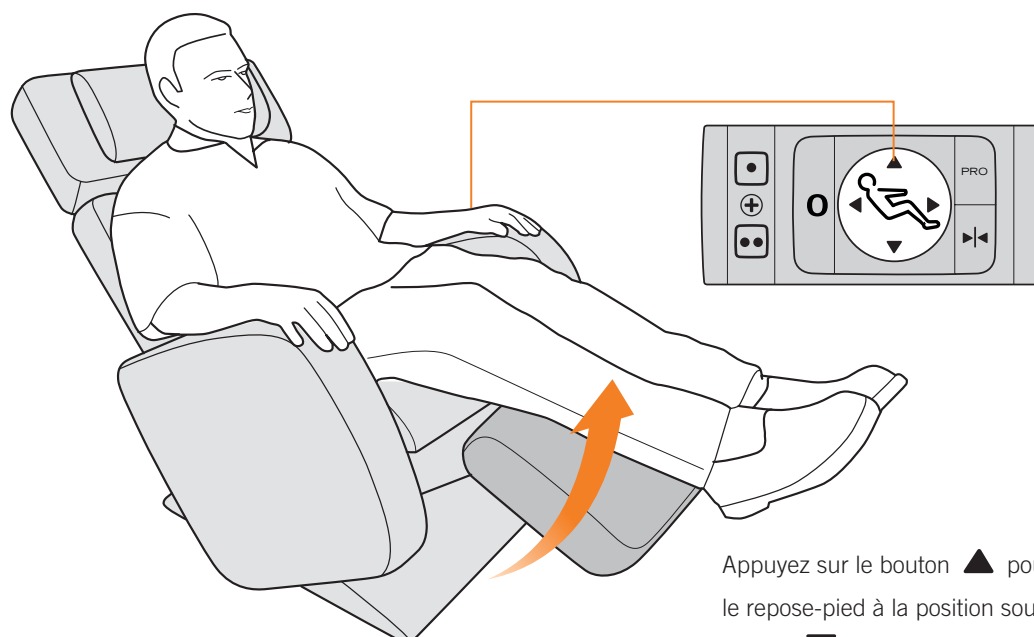


Ajustez l'appui-tête

En position assise, agrippez les deux côtés de l'oreiller des deux mains. Inclinez l'oreiller vers l'avant ou vers l'arrière pour un confort optimal. L'appui-tête demeurera dans cette position jusqu'au prochain réglage.



Déployez le repose-pied



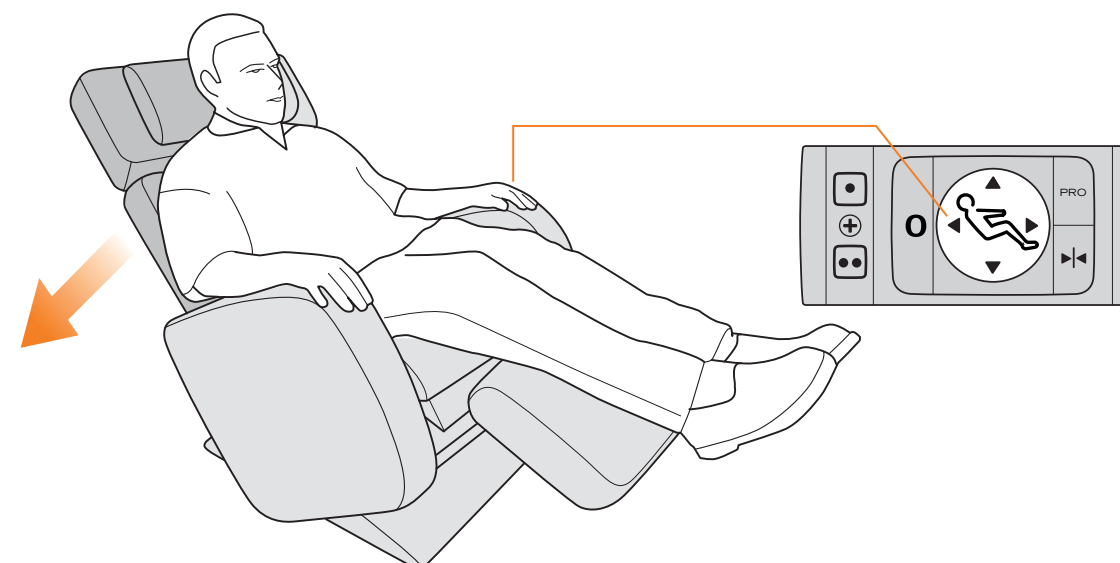
Appuyez sur le bouton ▲ pour déployer et relever le repose-pied à la position souhaitée; appuyez sur le bouton ▼ pour l'abaisser ou le rétracter entièrement.

Votre Perfect Chair Human Touch est facile à utiliser. Prenez place et ajustez le dossier à la position désirée. Le Perfect Chair vous berce dans un confort d'apesanteur, vos pieds plus hauts que votre cœur – la position de posture neutre ultime pour le soulagement du dos et de la colonne vertébrale.

Inclinez le dossier

Avant de régler l'angle d'inclinaison, assurez-vous que rien ne se trouve directement derrière ou sous le fauteuil.

Appuyez sur la touche ◀ pour incliner le dossier vers l'arrière, et sur la touche ▶ pour l'incliner vers l'avant.

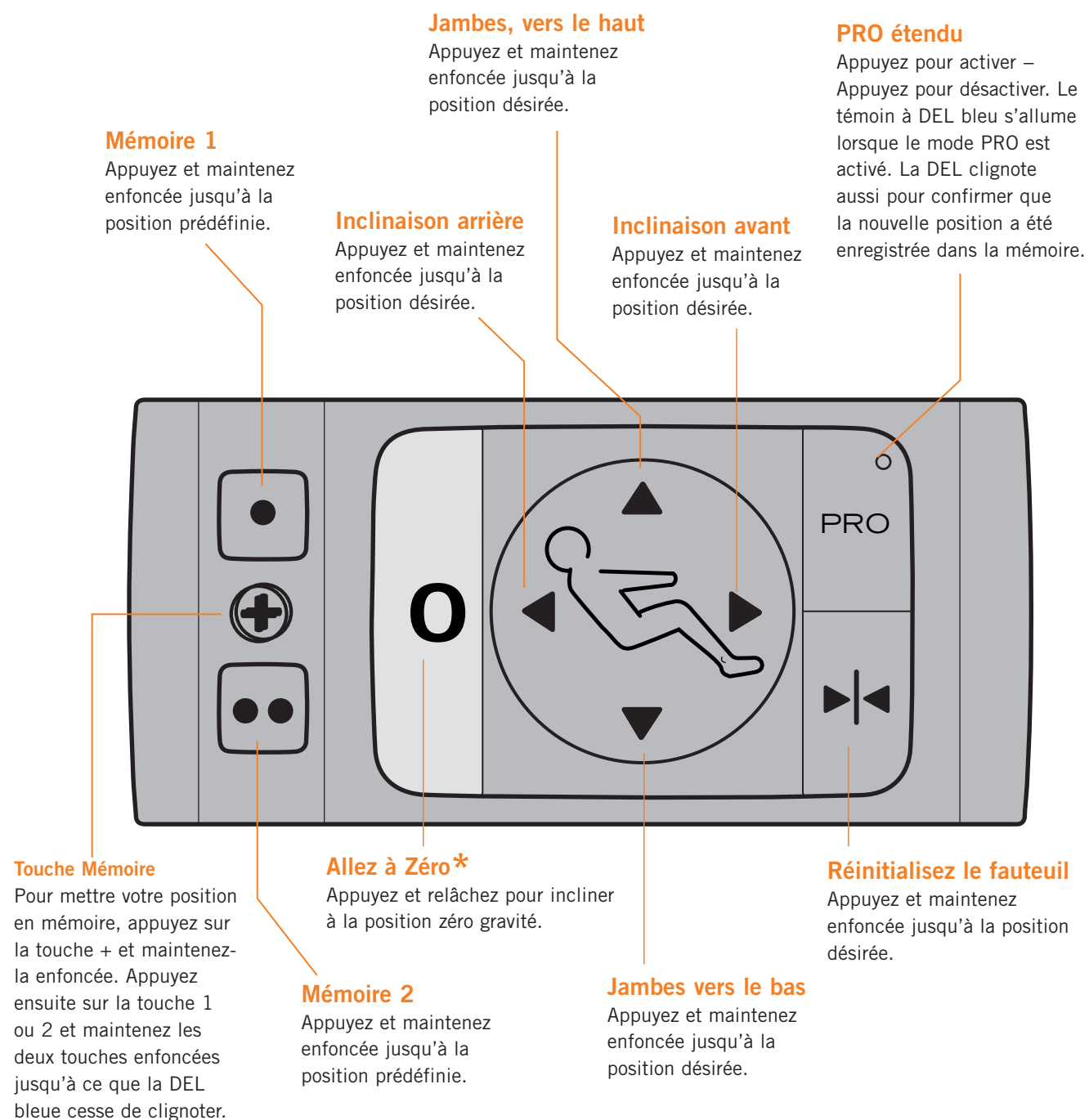


⚠ MISE EN GARDE : Pour éviter de blesser vos enfants ou votre animal domestique, veillez à ce que le dessous du fauteuil soit dégagé avant d'incliner le fauteuil.

⚠ MISE EN GARDE : Ne vous asseyez pas et ne vous mettez pas debout sur le repose-pied déployé : vous risqueriez de causer des dommages irréversibles à votre fauteuil et d'annuler votre garantie.

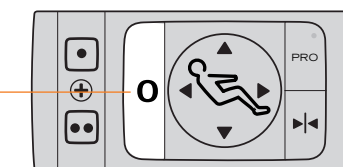
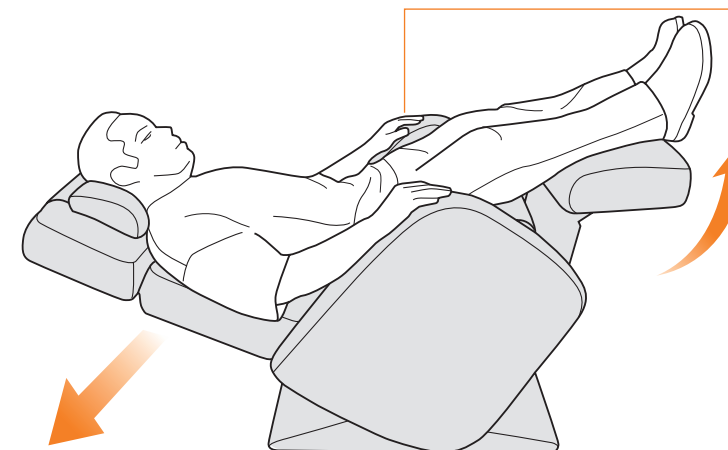
prenez les commandes

Votre fauteuil PC-8500 est doté d'une programmation avancée. Elle facilite l'inclinaison en position d'apesanteur ou le retour en position verticale au toucher d'un bouton. Vous pouvez également utiliser les touches de mémoire pour stocker vos deux positions préférées.



La touche Go to Zero active un mouvement automatisé. Avant l'activation, vérifiez que l'arrière et le dessous du fauteuil sont bien dégagés. **POUR ARRÊTER LE FAUTEUIL IMMÉDIATEMENT PENDANT UN MOUVEMENT AUTOMATISÉ, APPUYEZ SUR N'IMPORTE QUELLE TOUCHE DU PANNEAU DE COMMANDE, SAUF LA TOUCHE PRO.**

Allez à ZeroG



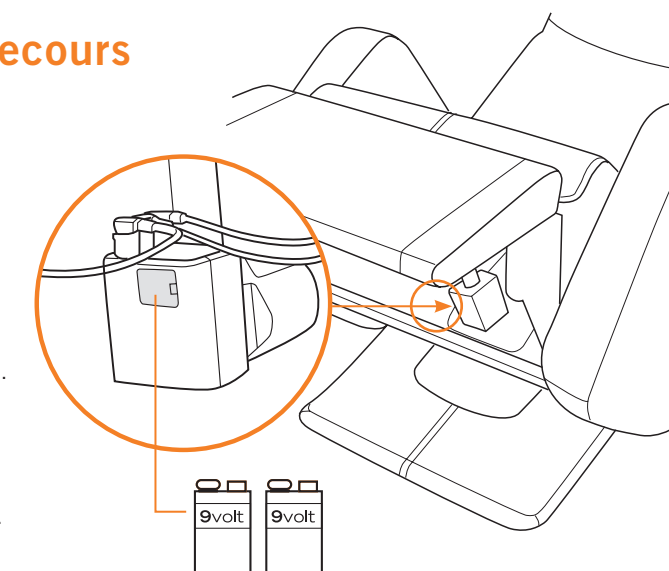
Appuyez et relâchez le bouton **O** pour déployer de manière automatique le repose-pied et incliner le fauteuil à la position Human Touch Real Zero-Gravity, ce qui vous permettra de soulager la pression de votre colonne et vous procurera le confort ultime.

Mémoire de position personnalisée

Vous avez d'autres positions préférées en plus de la position ZeroG Enregistrez deux autres positions personnalisées à l'aide des deux touches de mémoire. Tout en appuyant sur le bouton **+**, maintenez **1** ou **2** enfoncé pour enregistrer la position actuelle en mémoire. La prochaine fois que vous prendrez place dans le fauteuil, vous n'aurez qu'à appuyer sur le bouton **1** ou **2** et à le maintenir enfoncé pour reprendre votre position favorite.

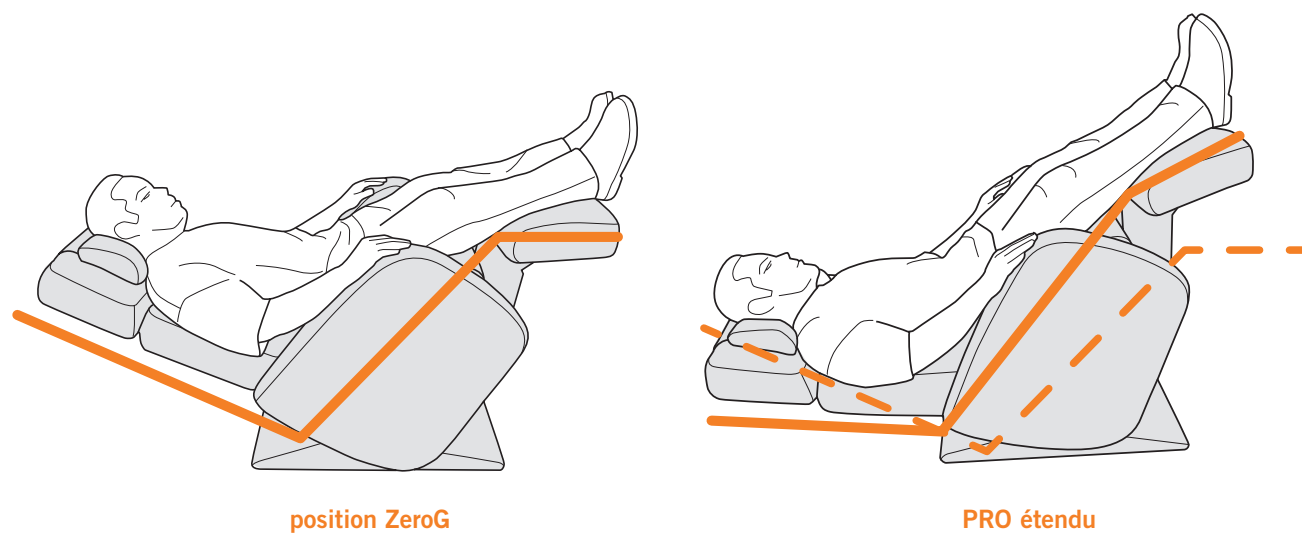
Caractéristique de sécurité Human Touch : Batterie de secours

Votre PC-8500 est doté d'un système de batterie de secours intégré, qui permet d'incliner le fauteuil et d'en sortir en cas de panne de courant. Le système de batterie de secours fonctionne au moyen de deux piles 9V (non comprises). Notez bien la date à laquelle vous avez installé les piles et remplacez-les régulièrement, afin de vous assurer que le système de batterie de secours est fonctionnel (une utilisation normale n'épuise pas les piles). **IMPORTANT:** Pour incliner le fauteuil et en sortir pendant une panne de courant à l'aide du système de batterie de secours, appuyez sur la touche Réinitialiser **↔** pour ramener automatiquement le fauteuil en position verticale.



IMPORTANT: Les piles ne peuvent être utilisées qu'une seule fois. Si vous utilisez le système de batterie de secours, remplacez immédiatement les piles.

prenez les commandes



PRO en position ZeroG

Vous êtes allé en apesanteur, passez maintenant à **PRO**. Votre fauteuil PC-8500 vous permet de passer dans un mode d'inclinaison d'apesanteur étendu appelé **PRO**. On l'appelle **PRO** parce que l'inclinaison et l'élévation des jambes accrues sont des techniques utilisées par les chiropraticiens pour soulager immédiatement leurs patients et évaluer leur état avant et après les ajustements.* Par contre, vous n'avez pas besoin d'un professionnel pour profiter de la gamme étendue de tels ajustements de confort et de leurs bienfaits – faites-en l'expérience et personnalisez votre confort grâce au mode **PC PRO**.

* Ensemble, les chiropraticiens de partout aux États-Unis utilisent plus de 5000 fauteuils Human dans leur pratique professionnelle.

Allez à PRO

Appuyez sur la touche **PRO**. Lorsque la DEL bleue s'allume, vous pouvez positionner votre dos et vos jambes en mode étendu, au-delà du mode d'apesanteur du fauteuil Perfect Chair.

Personnalisez votre expérience d'apesanteur pour un confort unique. Vous pouvez enregistrer votre position préférée en mode **PRO** au moyen de l'une des deux touches de mémoire.

Lorsque le mode **PRO** est désactivé, la commande d'inclinaison manuelle s'arrête à la position d'apesanteur du fauteuil Perfect Chair. Vous pouvez laisser le mode **PRO** toujours activé si vous utilisez fréquemment des positions à portée étendue.



soin et entretien

Afin de vous assurer que votre fauteuil fonctionne bien et qu'il conserve une belle apparence, veuillez suivre ces consignes faciles d'entretien.

MISE EN GARDE :

1. Avant de procéder au nettoyage de toute la surface du produit à l'aide d'une solution nettoyante, veuillez à en faire l'essai sur une petite portion camouflée du produit afin de vous assurer qu'elle n'entraîne pas de décoloration.
2. N'utilisez pas de benzène, de diluant ou de solvant pour nettoyer le produit.

Norme de nettoyage : W

Pour maintenir votre produit Human Touch en état optimal, époussetez-le fréquemment ou passez-y l'aspirateur à l'aide d'une brosse douce. On peut également brosser les produits SoftSuede^{MD} à l'aide d'une brosse pour le suède. Seuls les nettoyeurs à l'eau pour meubles conviennent au nettoyage de ce produit. Pour traiter les taches, appliquez localement un shampoing pour meubles ou un détergent mousseux doux.

Entretien et réparation :

1. La mécanique de ce fauteuil a été conçue et construite afin de ne nécessiter aucun entretien. Aucune lubrification ni entretien périodique ne sont nécessaires.
2. Votre fauteuil ne doit être réparé que par un centre de service agréé.

Rangement :

1. Lorsqu'il n'est pas utilisé pendant une longue période de temps, nous recommandons que le président soit couvert et l'unité doit être placée dans un environnement exempt de poussière et l'humidité.
2. Retirez les piles de sauvegarde.
3. Ne le rangez près d'une flamme ou d'une source de chaleur.
4. N'exposez pas cet appareil aux rayons directs du soleil sur une longue période. Cela pourrait le décolorer ou l'endommager.
5. N'utilisez pas et ne rangez pas votre fauteuil dans des températures extrêmes. Les produits rangés au froid peuvent devoir attendre 48 heures à la température de la pièce avant de bien fonctionner.
6. Le produit doit être utilisé et rangé dans un milieu où le taux d'humidité relative sans condensation varie de 10 % à 80 %. Trop d'humidité endommagera la mécanique.

Fiche technique*

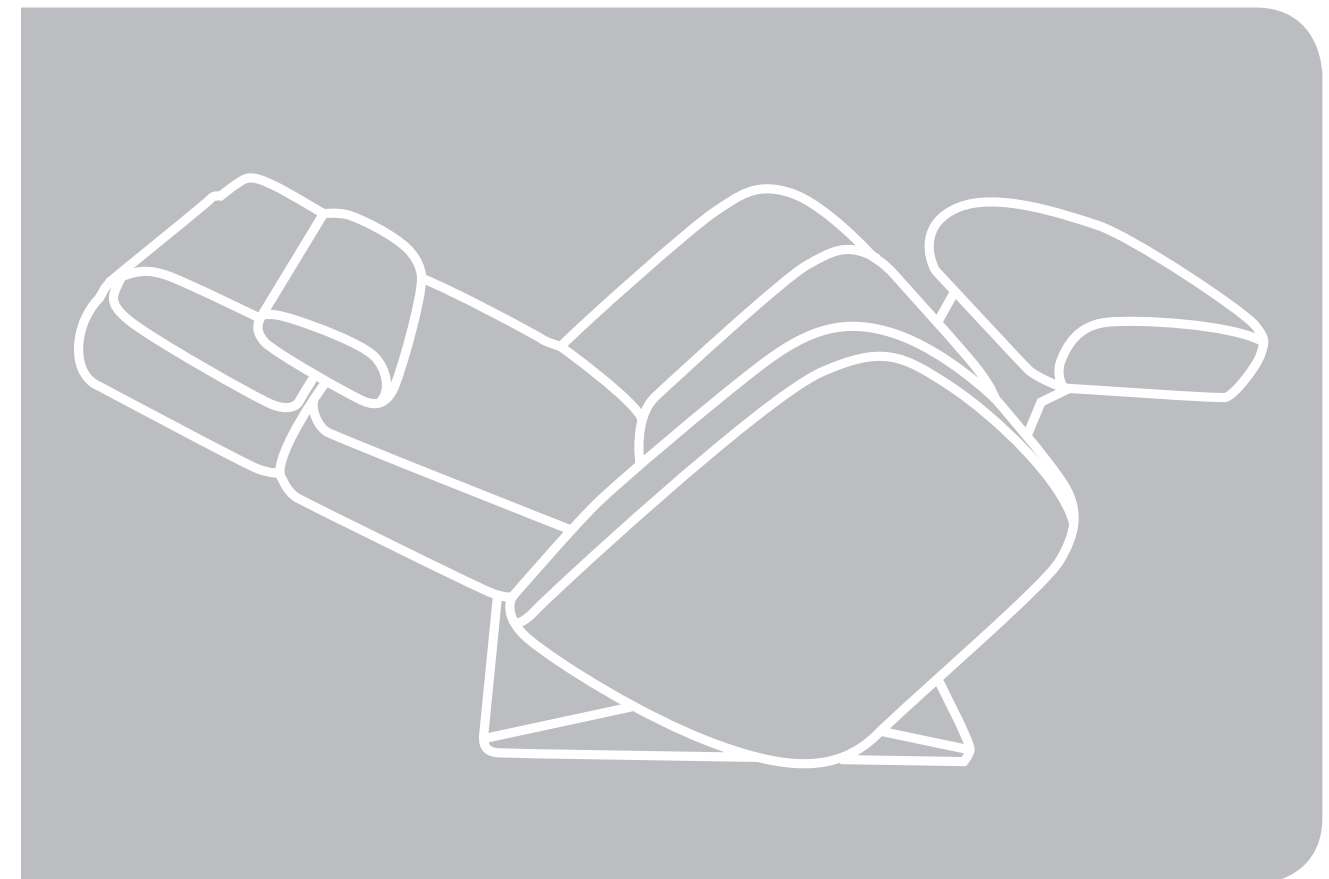
Tension de fonctionnement :	110 à 120 volts CA, 60 Hz
Consommation d'énergie :	70 watts
Dimension de la chaise (dépliée) :	105 cm Lon. x 88 cm Lar. x 114 cm H (41.25 po Lon. x 34.5 po Lar. x 44.75 po H)
Dimensions du fauteuil (incliné) :	156 cm Lon. x 88 cm Lar. x 81 cm H (61.5 po Lon. x 34.5 po Lar. x 31.75 po H)
Poids du produit :	51 kg (113 lb)
Dégagement d'inclinaison requis :	61 cm
Charge maximale sur le repose-pied déployé :	34,5 kg
Poids de charge maximal :	129,27 kg.

**La fiche technique est indiquée sous réserve de modifications.*

PC8500
PROZero



humantouch.com
800.355.2762



manual de uso y cuidado

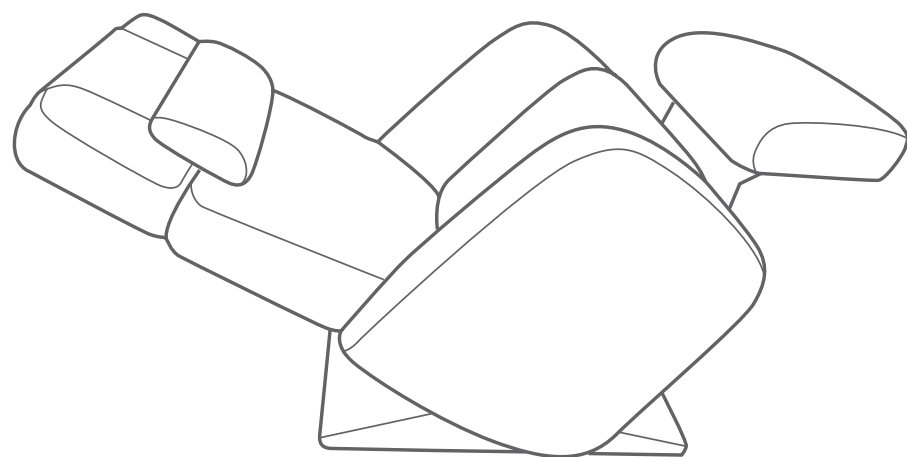
ESPAÑOL

Registre su producto **EN LÍNEA** hoy

www.humantouch.com/register

Registre su producto **EN LÍNEA** hoy

www.humantouch.com/register



PC8500
PROZero

Le damos la bienvenida a **human touch**[®]

Por definición, sentarse en Perfect Chair[®] de Human Touch[®] es una experiencia que trasciende los más altos estándares de la comodidad y ofrece una mezcla perfecta de estética, tecnología y ergonomía incomparable.

Al igual que sus predecesoras, la silla Perfect Chair PC-8500 es el resultado de la colaboración maestra de algunos de los expertos más famosos en los campos de la ergonomía, la quiropráctica y la ingeniería. La inclinación electrónica extra suave le sumerge en la ingravidez virtual y mece el cuerpo en una comodidad sin paralelo. A partir de allí, el modelo PC-8500 desafía lo convencional al ir más allá de las expectativas con el modo PC PRO. Este alcance extendido de inclinación y elevación de piernas emula el empleado por los quiroprácticos para aliviar los dolores musculares, la tensión y la fatiga.

Desde funciones de memoria inteligentes hasta un panel de control intuitivo, el modelo PC-8500 ha sido diseñado minuciosamente para ofrecerle máxima relajación y mucho más, con tan solo presionar un botón.

Envíe sus preguntas o comentarios sobre este manual a documentation@humantouch.com

©2014 Human Touch[®], LLC. Patentes en proceso y derechos de propiedad intelectual vigentes.

El uso de este producto no garantiza ni implica declaraciones médicas.

Human Touch es una marca registrada de Human Touch[®], LLC.

humantouch.com

manténgala en forma segura

INSTRUCCIONES DE SEGURIDAD IMPORTANTES

Cuando utilice un artefacto eléctrico, debe tener siempre precauciones especiales, incluidas las siguientes:

Lea todas las instrucciones antes de usar este artefacto.

 **PELIGRO:** Para reducir el riesgo de sacudida eléctrica

Desconecte siempre este producto del tomacorriente inmediatamente después de usarlo y antes de limpiarlo.

 **ADVERTENCIA:** Para reducir el riesgo de quemaduras, incendio, sacudida eléctrica o lesiones personales:

- Si el cable de alimentación está deteriorado, el fabricante, su agente de servicio o una persona calificada similar debe reemplazarlo para evitar peligros.
- Un artefacto nunca debe dejarse desatendido mientras esté conectado. Cuando no esté en uso, desconéctelo del tomacorriente antes de colocarlo o retirarle piezas.
- No lo ponga en funcionamiento bajo una sábana o cojín. Puede ocurrir el calentamiento excesivo y producir un incendio, sacudida eléctrica o lesiones personales.
- Se requiere su supervisión muy de cerca cuando este artefacto es utilizado por, con o cerca de niños, personas inválidas o discapacitadas. Mantenga a los niños retirados del apoyapies cuando esté extendido (o de otras piezas similares).
- Utilice este producto solamente para el uso que se describe en este manual. No utilice conexiones no recomendadas por el fabricante.
- Nunca haga funcionar este artefacto si tiene un cable o enchufe dañado, si no funciona correctamente, si se ha caído o deteriorado, o si ha caído en el agua. Devuelva este producto a un centro de servicio para su revisión y reparación.
- No hale este artefacto por el cable de alimentación, ni utilice el cable como mango.
- Mantenga siempre el cable de alimentación alejado de superficies calientes.
- Nunca haga funcionar este artefacto con los orificios de ventilación obstruidos. Mantenga los orificios de ventilación libres de pelusa, cabellos y cosas por el estilo.
- Nunca deje caer ni introduzca objetos en ningún orificio o abertura.
- No utilice en exteriores.
- No utilice en lugares donde se empleen productos en aerosol (spray) o donde se administre oxígeno.
- Para desconectarlo, apague todos los controles colocándolos en posición OFF y luego retire el enchufe del tomacorriente.
- No se utilice si presenta dolor en las pantorrillas de causa desconocida.
- No utilice este producto sobre el piso húmedo o mientras alguna parte del cuerpo esté en contacto con tuberías o tomas de tierra similares.
- No use este producto si escucha ruido más fuerte del sonido normal.
- No se ponga de pie sobre el artefacto. Úselo solamente sentado.
- Tenga cuidado al usar las superficies calientes. Pueden causar quemaduras serias. No lo use en zonas de la piel sin sensibilidad o con problemas de circulación. El uso de calor por niños o personas discapacitadas puede ser peligroso sin la atención de otras personas.
- Para reducir el riesgo de sacudida eléctrica, este artefacto tiene un enchufe polarizado (un contacto más ancho que el otro). Este enchufe se adapta a los tomacorrientes polarizados sólo de una forma. Si el enchufe no se acopla bien al tomacorriente, voltéelo para invertir los contactos. Si aun así no se acopla, comuníquese con un electricista calificado para instalar el tomacorriente adecuado. No cambie el enchufe.

Precauciones de seguridad

- Se recomienda usar ropa cómoda mientras se utiliza este producto.
- Si siente alguna molestia anormal durante el funcionamiento de este producto, apague la alimentación eléctrica de inmediato y no utilice este producto. Consulte a su médico.
- No hale el cable de CA.
- Cuando utilice este producto después de haberse mantenido almacenado, compruebe que funciona debidamente antes usarlo.
- Compruebe siempre que no haya obstáculos detrás del producto y que haya espacio suficiente para reclinarlo.

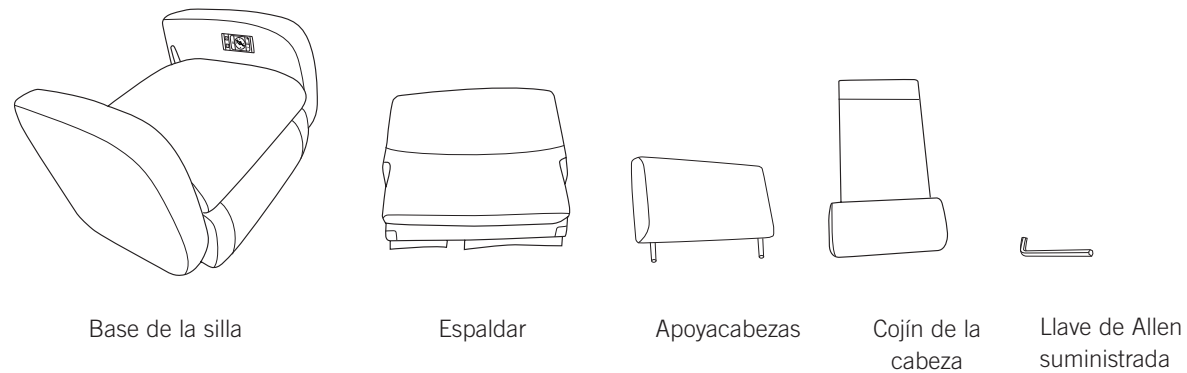
CONSERVE ESTAS INSTRUCCIONES

- Este producto está diseñado para uso personal en casa. Su uso comercial anula la garantía.
- **No intente reparar este producto usted mismo.**

prepárese

Su Perfect Chair® de Human Touch® requiere una instalación sencilla. Solo instale el espaldar en la base de la silla, coloque el cojín de la cabeza y ¡y listo!

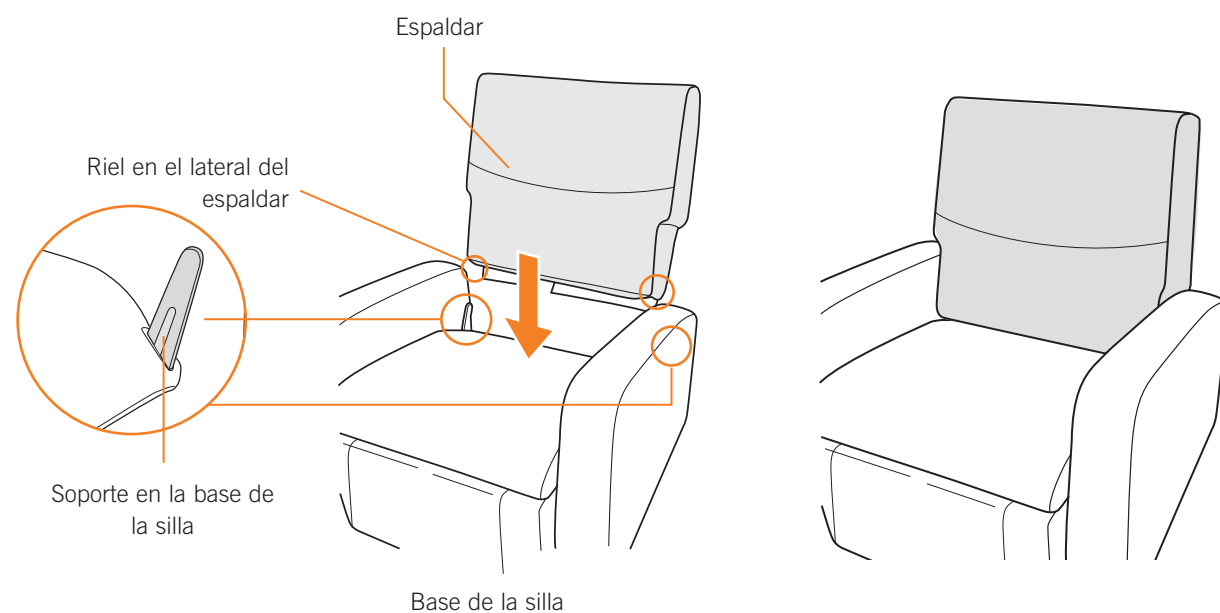
Desenvuelva el producto



INSTALE EL ESPALDAR

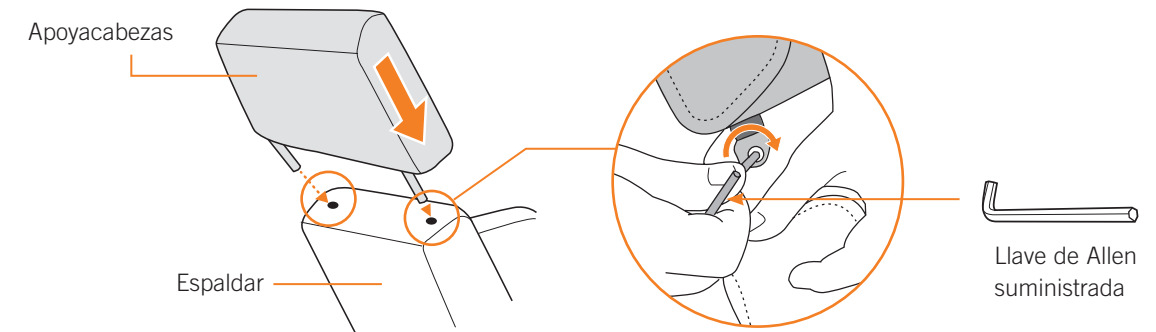
IMPORTANTE: Este paso requiere de dos personas para prevenir lesiones y/o daños al espaldar.

1. Utilizando dos personas, levante el espaldar en posición sobre la parte superior de la base de la silla, alineando los rieles de los laterales del espaldar con los soportes de la base de la silla.
2. Baje los rieles a los lados del espaldar con cuidado sobre ambos soportes simultáneamente, manteniendo el nivel del espaldar, hasta que el espaldar se ajuste en su sitio.



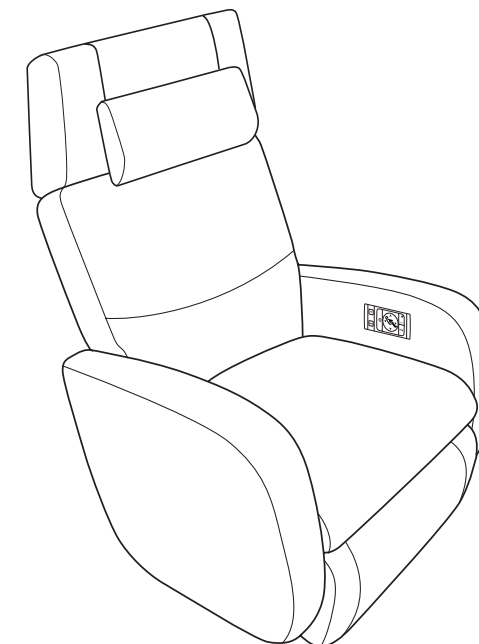
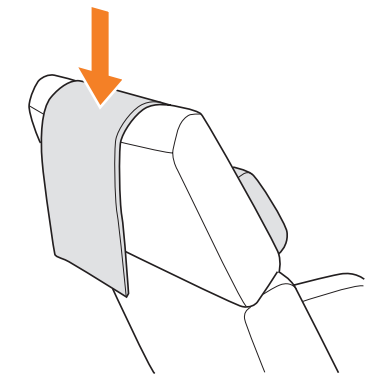
COLOQUE EL APOYACABEZAS

1. Inserte los extremos de la estructura del apoyacabeza en la estructura del espaldar.
2. Con la llave de Allen suministrada, instale los dos tornillos suministrados para asegurar la estructura del apoyacabeza.



COLOQUE EL COJÍN DE LA CABEZA

Coloque el cojín de la cabeza en la posición deseada, con la aleta apoyada sobre la parte superior del apoyacabeza. La aleta balanceada facilita la colocación del cojín de la cabeza para máxima comodidad.



tome asiento

Su Perfect Chair de Human Touch es fácil de usar. Solo siéntese y ajuste la silla en la posición deseada. Su Perfect Chair lo posiciona cómodamente con cero gravedad, con los pies por encima del nivel del corazón, la postura neutra más novedosa para aliviar la espalda y la columna vertebral.

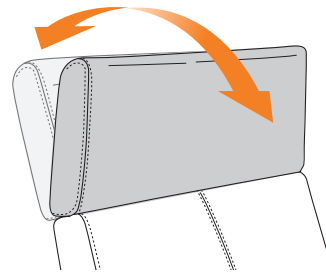
Conecte

Conecte la silla a una fuente de alimentación adecuada.

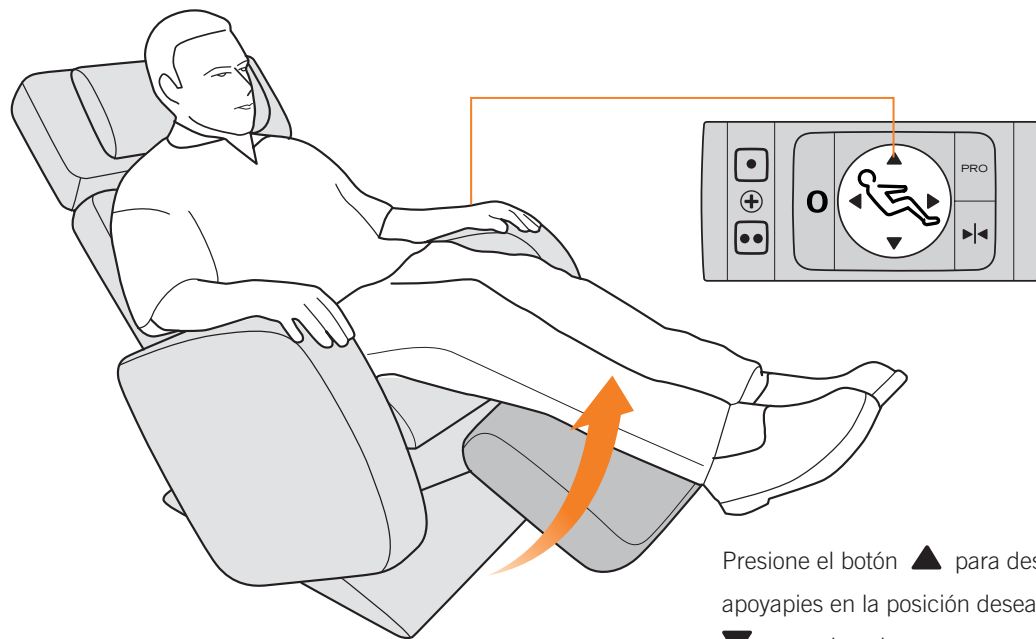


Ajuste el apoyacabeza

Mientras esté sentado, estire ambas manos y tome ambos lados de la estructura del apoyacabeza; luego incline el apoyacabeza hacia delante o atrás para máxima comodidad. El apoyacabeza permanecerá en esta posición hasta que lo ajuste nuevamente.



Levante el apoyapies

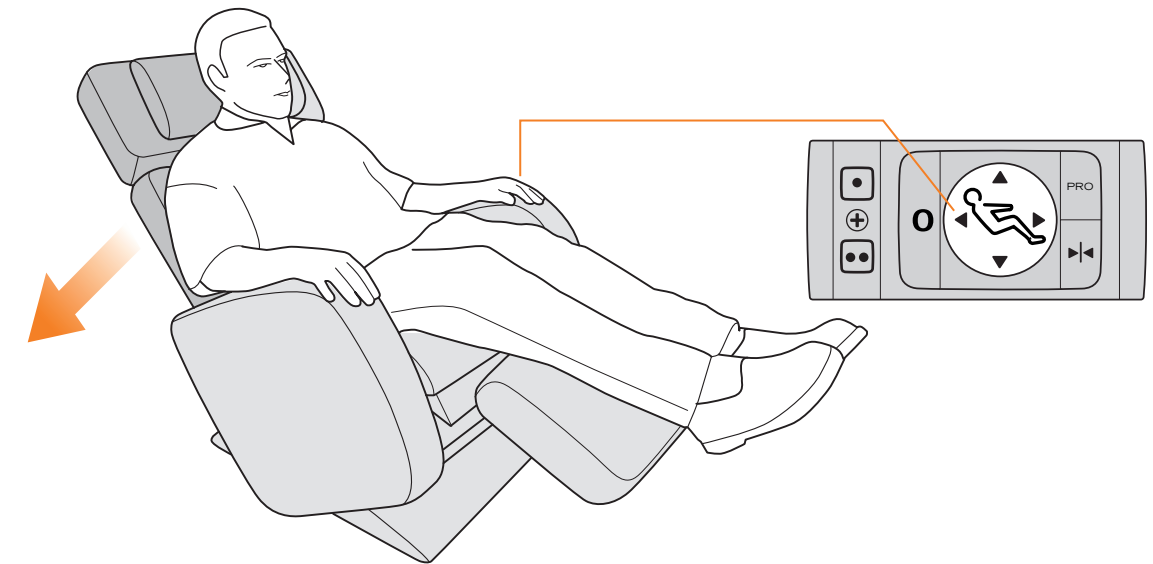


Presione el botón ▲ para desplegar y levantar el apoyapies en la posición deseada, y presione el botón ▼ para plegarlo.

ADVERTENCIA: No se siente ni se coloque de pie sobre el apoyapies desplegado ya que esto dañará la silla permanentemente y anulará la garantía.

Recline el espaldar

Antes de ajustar el ángulo de inclinación, asegúrese de que no haya nada ubicado directamente detrás o debajo de la silla. Presione ◀ para reclinar el espaldar y ▶ para colocarlo en posición vertical.



ADVERTENCIA: Asegúrese de que la parte de abajo de la silla esté despejada antes de colocar el espaldar en posición vertical para evitar lesiones a niños y mascotas.

Su PC-8500 cuenta con programación avanzada, lo cual facilita reclinarla en posición de cero gravedad o en posición invertida, solo con presionar un botón. También puede utilizar los botones de la memoria para almacenar dos de sus posiciones favoritas.

tome el control

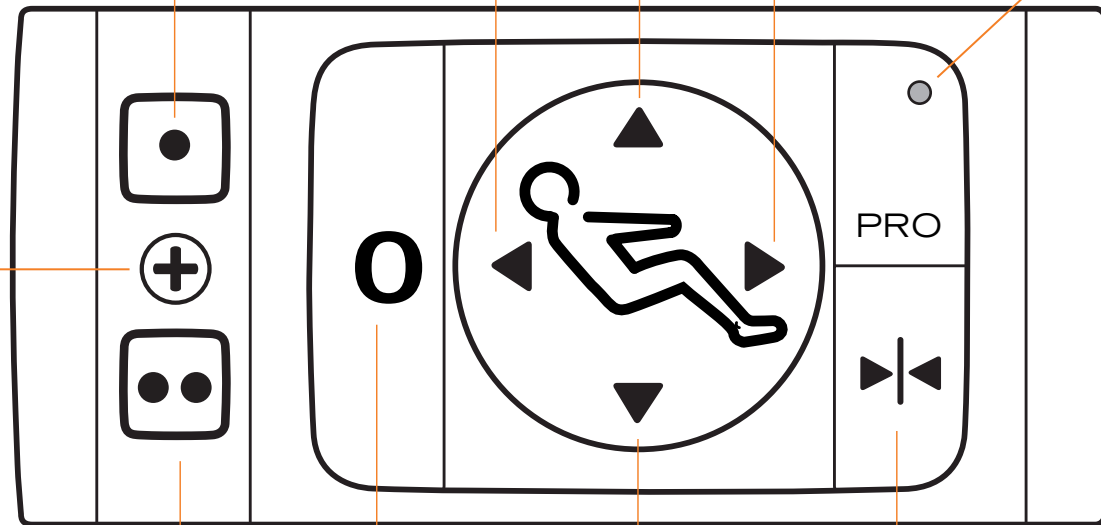
Memoria 1
Presione y mantenga presionado este botón hasta alcanzar la posición predefinida.

Reclinar
Presione y mantenga presionado este botón hasta alcanzar la posición deseada.

Piernas arriba
Presione y mantenga presionado este botón hasta alcanzar la posición deseada.

Vertical
Presione y mantenga presionado este botón hasta alcanzar la posición deseada.

Extender PRO
Presione para activar o desactivar. El LED azul se enciende cuando el modo PRO está activo. El LED se coloca en intermitente para confirmar que se ha definido una nueva posición de memoria.



Botón Memoria
Para memorizar la posición de inclinación, mientras presiona el botón +, presione y mantenga presionado el botón 1 o 2 hasta que el LED azul salga de la intermitencia.

Memoria 2
Presione y mantenga presionado este botón hasta alcanzar la posición predefinida.

Poner en cero*
Presione y suelte para inclinarse a la posición de gravedad cero.

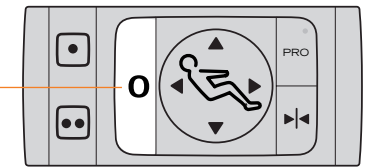
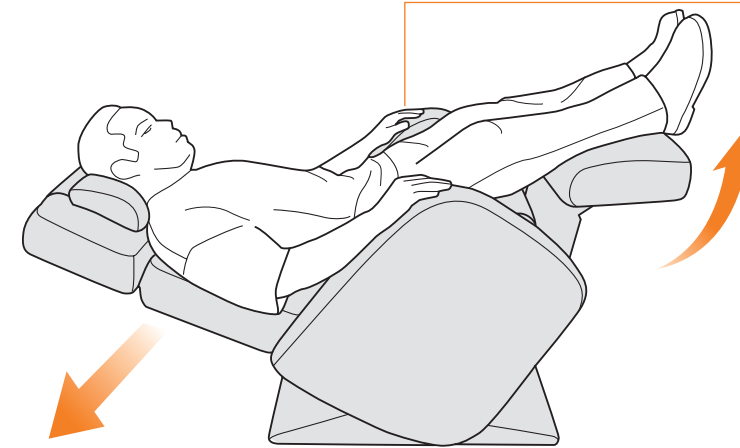
Piernas abajo
Presione y mantenga presionado este botón hasta alcanzar la posición deseada.

Restablecer
Presione y mantenga presionado este botón hasta alcanzar la posición deseada.



El botón Poner en cero activa el movimiento automatizado de la silla. Antes de activarlo, confirme que toda el área por delante y detrás de la silla estén despejadas. **PARA DETENER DE INMEDIATO LA SILLA DURANTE EL MOVIMIENTO AUTOMÁTICO, PRESIONE CUALQUIER BOTÓN DEL PANEL DE CONTROL, EXCEPTO EL BOTÓN PRO.**

Poner en cero gravedad



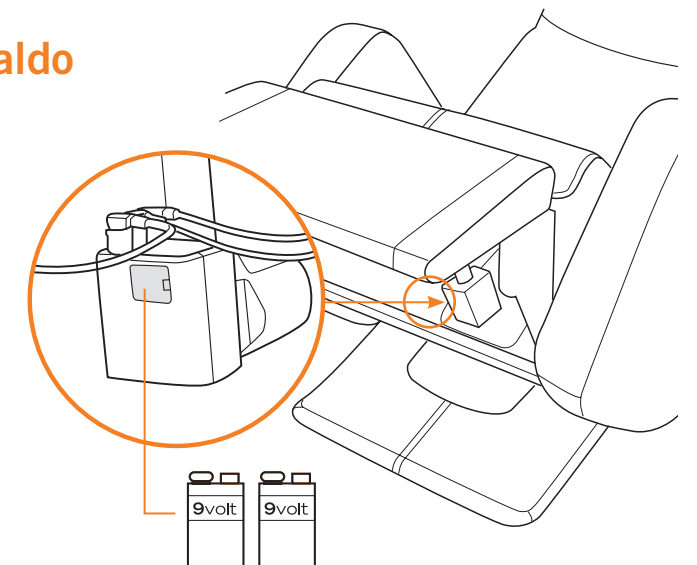
Presione y suelte el botón 0 para desplegar el apoyapiés automáticamente y reclinar la silla en posición de cero gravedad real Human Touch, con lo cual se eliminará la presión de su columna vertebral para máxima comodidad.

Personalizar la memoria de posición

Tenga sus posiciones favoritas preprogramadas, aparte de la posición de cero gravedad. Utilice los dos botones de memoria para almacenar hasta dos posiciones personalizadas. Mientras presiona el botón +, mantenga presionado el botón 1 o 2 para guardar su posición actual en la memoria. La próxima vez que se siente en la silla, solo tendrá que presionar y mantener presionado el botón 1 o 2 para volver a su posición favorita.

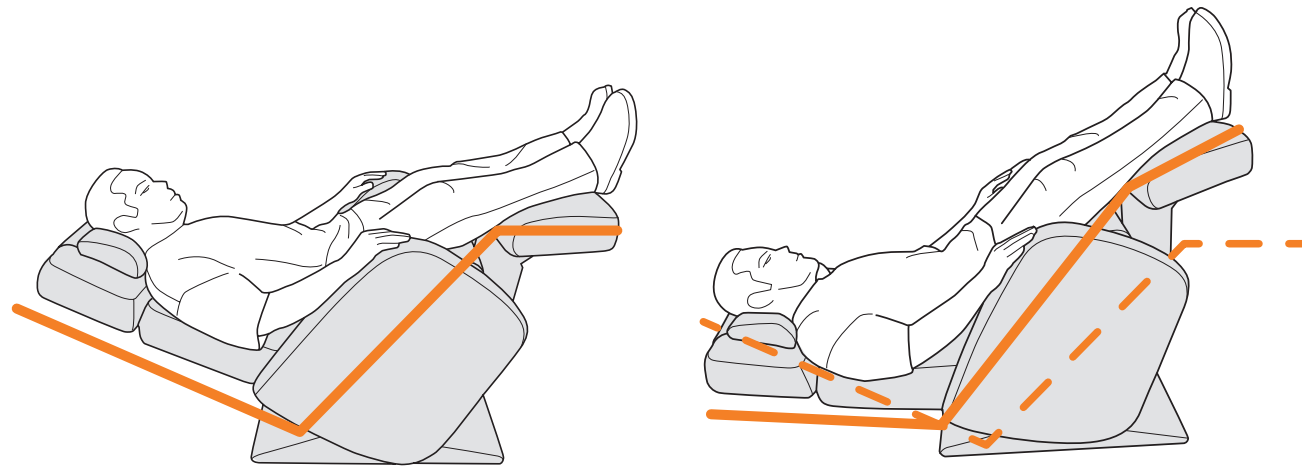
Función de seguridad de Human Touch: Baterías de respaldo

Su PC-8500 cuenta con un sistema de respaldo a baterías para garantizar que pueda colocar la silla en posición vertical en caso de ocurrir una falla en la alimentación eléctrica. El sistema de respaldo a baterías utiliza dos baterías de 9 V (no incluidas). Asegúrese de tomar nota de la fecha en la que instaló las baterías y reemplácelas regularmente para garantizar que el sistema de respaldo a baterías esté totalmente funcional (el uso normal no descarga las baterías). **IMPORTANTE:** Para utilizar el sistema de respaldo a baterías para colocar la silla en posición vertical y salir de la silla durante una falla en la alimentación eléctrica, presione el botón Restablecer para volver a colocar la silla en posición recta.



IMPORTANTE: Las baterías solo se pueden usar una vez, después de lo cual debe reemplazarlas de inmediato.

tome el control



Posición de cero gravedad

Extensión PRO

Pase a PRO

Presione el botón **PRO**. Cuando se enciende el LED azul, puede colocar su espalda y sus piernas en alcance extendido, más la posición de cero gravedad.

Personalice su experiencia de cero gravedad con una configuración propia de comodidad única. Puede guardar su posición favorita de modo **PRO** con cualquiera de los dos botones de memoria.

Cuando el modo **PRO** está desactivado, el control de reclinación manual se detiene convenientemente en posición de cero gravedad. Puede elegir si desea dejar el modo **PRO** activo en todo momento si utiliza frecuentemente las posiciones de alcance extendido.

PRO en cero gravedad

Usted está en posición de cero gravedad, ahora pase a posición **PRO**. La silla PC-8500 le permite cambiar a un modo de reclinación de cero gravedad extendida denominado **PRO**. Se denomina **PRO** porque los quiroprácticos utilizan las posiciones extendidas de reclinación y elevación de piernas para ofrecer a sus pacientes un alivio inmediato del dolor de espalda y para evaluar la condición antes y después de los ajustes.* Pero no necesita a un profesional para disfrutar del alcance extendido de ajustes de comodidad y beneficios: experimente su propio bienestar personalizado con el modo **PC PRO**.



* A lo largo de los Estados Unidos se utilizan más de cinco mil sillas Human Touch en consultorios quiroprácticos de práctica profesional.

cuidado y mantenimiento

Para mantener su producto en funcionamiento y luciendo bien, siga estos pasos simples para su cuidado.

ADVERTENCIA:

1. Asegúrese de desconectar el cable de alimentación del tomacorriente antes de limpiar la silla.
2. Cuando limpie el control o el interruptor de alimentación, utilice solamente un paño seco. Nunca utilice un paño húmedo para limpiar el control ni el interruptor de alimentación.
3. Asegúrese de probar las soluciones limpiadoras en una superficie pequeña no visible del producto para garantizar que el color no se desvanezca antes de usar la solución en toda la superficie del producto.
4. No utilice benceno ni disolventes en su producto.

Estándar de código de limpieza: W

Para mantener su producto Human Touch en óptimas condiciones, limpie el polvo de la silla frecuentemente y/o con una aspiradora de cepillo suave. Los productos SofSuede® también se pueden cepillar con un cepillo para gamuza. Si su producto se ensucia, use solo un limpiador de tapicería a base de agua. Para tratar las manchas, limpie el área manchada con un champú para tapicería o una espuma detergente suave.

Mantenimiento y reparación:

1. La mecánica de este producto está especialmente diseñada y construida para no requerir mantenimiento. No se requiere servicio ni lubricación periódicamente.
2. La silla sólo debe recibir servicio por parte de un centro de servicio autorizado.

Almacenamiento:

1. Cuando no se utilice por un largo período, recomendamos cubrir la silla, enrollar el cable de alimentación y colocar la unidad en un lugar libre de polvo y humedad.
2. Retire las baterías de respaldo.
3. No lo conserve cerca del calor, ni de las llamas. No deje este producto expuesto a la luz solar directa por largos períodos de tiempo. Ello puede causar decoloración o daños.
4. No utilice o almacene el producto a temperaturas extremas; si el producto se almacena a bajas temperaturas, puede ser necesario que el producto esté a temperatura ambiente por 48 horas para que funcione correctamente.
5. El producto se debe utilizar y almacenar en un ambiente sin condensación de humedad que oscile entre un 10 y un 80%. La humedad excesiva dañará la mecánica del producto.

Especificaciones*

Voltaje de operación:	CA 110-120 V, 60 Hz
Consumo de energía:	70 vatios
Tamaño de la silla (vertical):	41.25" Largo x 34.5" Ancho x 44.75" Alto
Tamaño de la silla (reclinada):	61.5" Largo x 34.5" Ancho x 31.75" Alto
Peso del producto:	76,66 kg. (113 Lbs.)
Espacio necesario para reclinarla:	24"
Peso máximo de carga del apoyapies desplegado:	75 Lbs.
Peso máximo de carga:	129,27 kg. (285 Lbs.)

**Las especificaciones quedan sujetas a cambio sin previo aviso.*